

Insulation Housings

110 Series

Model Allocation Number

CS 28 N 0 02

Series Code

28 28 Series
48 48 Series
50 50 Series
63 63 Series
ISO .. ISO Series
LK LOK Series
SEK .. Self Locking Series
TP Low Insertion Series

Material Code

N Polyamide
F Polyethylene
S Polycarbonate V0
B Polycarbonate V2
PBT .. Polybutylene Terephthalate

Sub Series

Colour Code

0 Natural
1 White
2 Yellow
3 Red
4 Green
5 Black
6 Blue
VI Violet
MR ... Brown

Insulation Housings

110 Series

Model Allocation Number

CS-28 N 0 02

Series Code

28 110 Series
48 187 Series
50 197 Series
63 250 Series
ISO .. ISO Series
LOK .. LOK Series
SEK .. Self Locking Series
TP Low Insertion Series

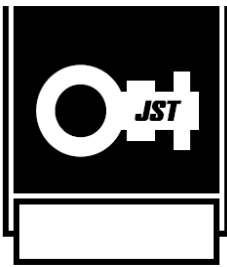
Material Code

N Polyamide
F Polyethylene
S Polycarbonate V0
B Polycarbonate V2
PBT .. Polybutylene Terephthalate

Sub Series

Colour Code

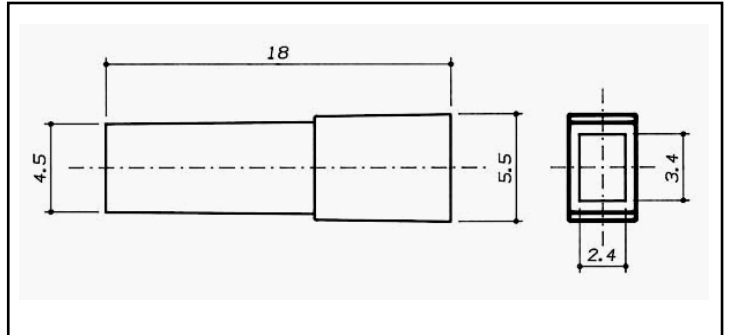
0 Natural
1 White
2 Yellow
3 Red
4 Green
5 Black
6 Blue
VI Violet
MR ... Brown



110 SERIES

Insulation housings for terminals

01 Type (Straight) Housing <Made in Europe>



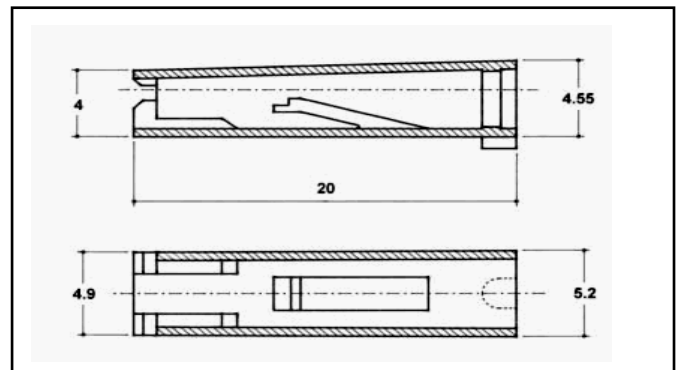
JST File No. E172855

Part No	Standard	Description	Material	Max Operating Temp °C	Applicable JST Terminal
CS-28F001	JST	Single Circuit Housing (Pre-Fit)	PE (UL94-HB)	50	STO-(*)-(*)-110(*)-(*)-(*)-(*)
CS-28N001			Nylon 66 (UL94-V2)	130	
CS-28N001V0			Nylon 68 (UL94-V0)	140	

Note:

- 1) Colour coding: 0=Natural, 1=White, 3=Red, 5=Black. Example CS-28N501 = Black Housing.
- 2) Example applicable JST Terminal; STO-1.0T-110N-8
- 3) Parts are available in different materials: Contact JST.
- 4) For availability, delivery and minimum order quantity details, contact JST.

02 Type (Straight) Housing <Made in Europe>

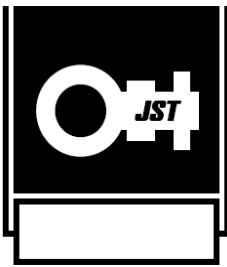


JST File No. E172855

Part No	Standard	Description	Material	Max Operating Temp °C	Applicable JST Terminal
01019 (CS-28N002)	JST	Single Circuit Housing	Nylon 66 (UL94-V2)	130	STO-(*)-(*)-110(*)-(*)-(*)-(*)
CS-28N002V0			Nylon 68 (UL94-V0)	140	

Note:

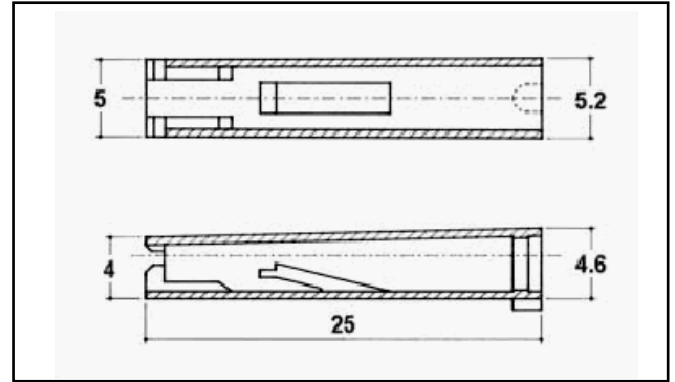
- 1) Colour coding: 0=Natural, 2=Yellow, 3=Red, 4=Green, 5=Black, 6=Blue. Example CS-28N502 = Black Housing.
- 2) Example applicable JST Terminal; STO-1.0T-110N-8
- 3) Parts are available in different materials: Contact JST.
- 4) For availability, delivery and minimum order quantity details, contact JST.



110 SERIES

Insulation housings for terminals

03 Type (Straight) Housing <Made in Europe>



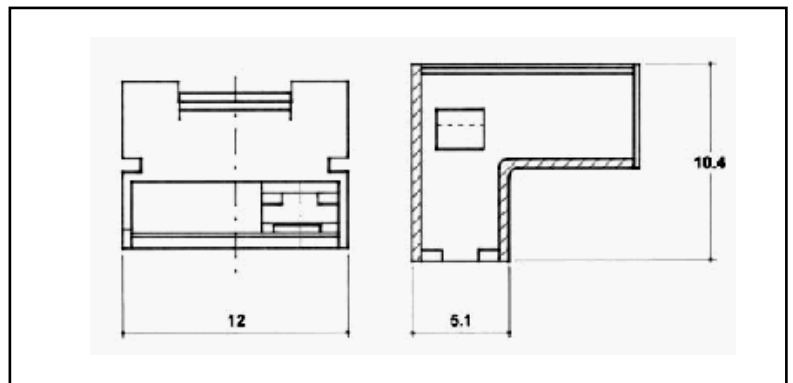
File No. E172855

Part No	Standard	Description	Material	Max Operating Temp °C	Applicable JST Terminal
CS-28N003		Single Circuit Housing	Nylon 66 (UL94-V2)	130	STO-(*)-(*)-110(*)-(*)-(*)-(*)
CS-28N003V0			Nylon 68 (UL94-V0)	140	

Note:

- 1) Colour coding: 0=Natural, 5=Black. Example CS-28N503 = Black Housing.
- 2) Example applicable JST Terminal; STO-1.0T-110N-8
- 3) Parts are available in different materials: Contact JST.
- 4) For availability, delivery and minimum order quantity details, contact JST.

04 Type (Flag) Housing <Made in Europe>

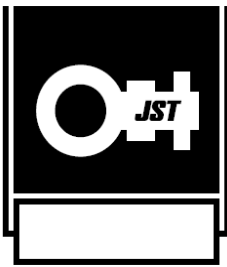


File No. E172855

Part No	Standard	Description	Material	Max Operating Temp °C	Applicable JST Terminal
CS-28N004		Single Circuit Housing	Nylon 66 (UL94-V2)	130	--
CS-28N004V0			Nylon 68 (UL94-V0)	140	

Note:

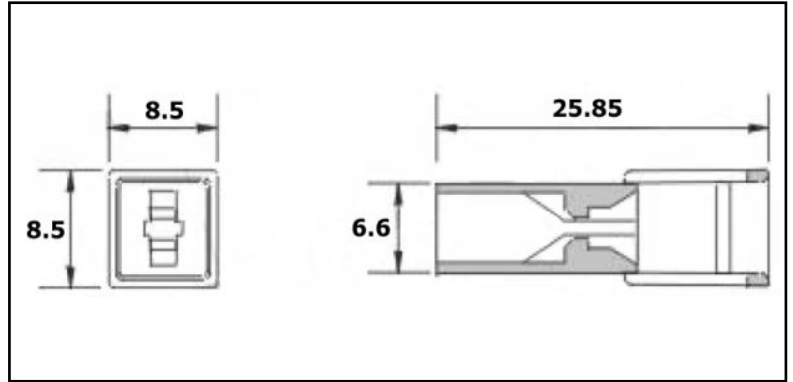
- 1) Colour coding: 0=Natural, 5=Black. Example CS-28N504 = Black Housing.
- 2) Parts are available in different materials: Contact JST.
- 3) For availability, delivery and minimum order quantity details, contact JST.



110 SERIES

Insulation housings for terminals

05 Type (Straight) Housing <Made in Europe>



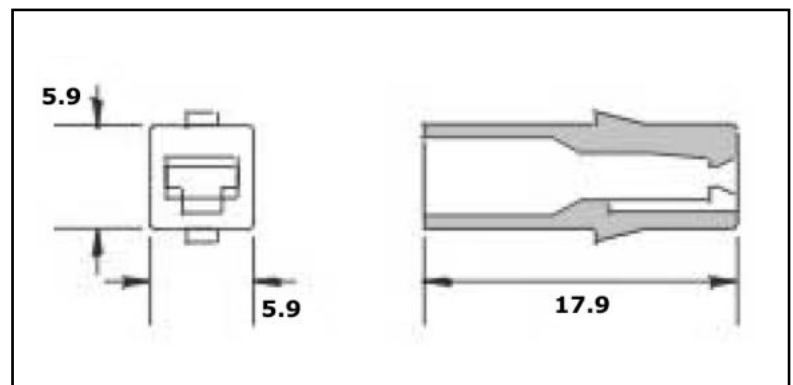
File No. E172855

Part No	Standard	Description	Material	Max Operating Temp °C	Applicable JST Terminal	Applicable Mating Housing
CS-28N006		Single Circuit Housing	Nylon 66 (UL94-V2)	130	SIM-(*)-(*)-110(*)-(*)-(*)-(*)	CS-28N007
CS-28N006V0			Nylon 68 (UL94-V0)	140		CS-28N007V0

Note:

- 1) Example applicable JST Terminal; SIM-1.0T-110D-8-E-F3-F
- 2) Parts are available in different materials: Contact JST.
- 3) For availability, delivery and minimum order quantity details, contact JST.

06 Type (Straight) Housing <Made in Europe>

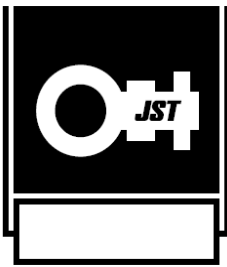


File No. E172855

Part No	Standard	Description	Material	Max Operating Temp °C	Applicable JST Terminal	Applicable Mating Housing
CS-28N007		Single Circuit Housing	Nylon 66 (UL94-V2)	130	STI-(*)-(*)-110(*)-(*)-(*)-(*)	CS-28N006
CS-28N007V0			Nylon 68 (UL94-V0)	140		CS-28N006V0

Note:

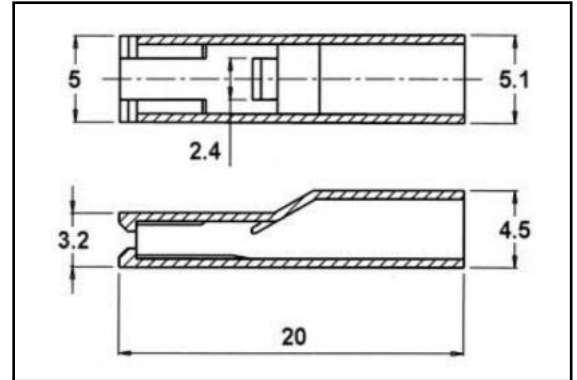
- 1) Example applicable JST Terminal; STI-1.0T-110N-8-E
- 2) Parts are available in different materials: Contact JST.
- 3) For availability, delivery and minimum order quantity details, contact JST.



110 SERIES

Insulation housings for terminals

01 TP Type (Straight) Housing <Made in Europe>



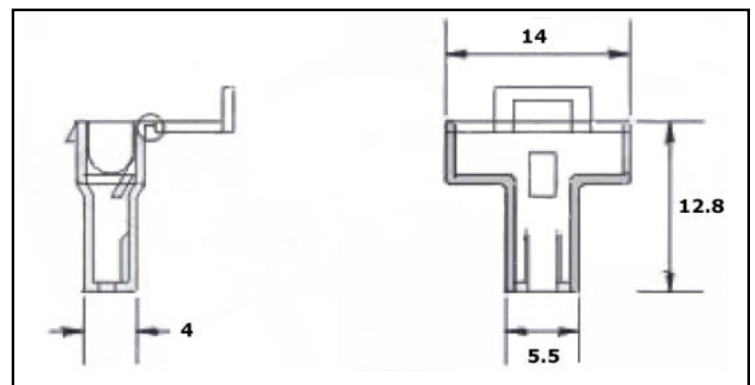
File No. E172855

Part No	Standard	Description	Material	Max Operating Temp °C	Applicable JST Terminal
CS-28N008		Single Circuit Housing	Nylon 66 (UL94-V2)	130	STO-(*)-(*)-110(*)-(*)-(*)-(*)
CS-28N008V0			Nylon 68 (UL94-V0)	140	

Note:

- 1) Colour coding: 0=Natural, 5=Black. Example CS-28N508 = Black Housing.
- 2) Example JST Terminal: STO-1.0T-110N-5L-E-F2
- 3) Parts are available in different materials: Contact JST.
- 4) For availability, delivery and minimum order quantity details, contact JST.

02 TP Type (Flag) Housing <Made in Europe>

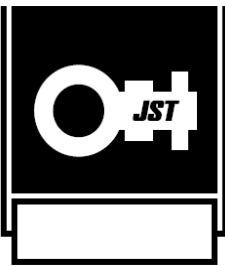


File No. E172855

Part No	Standard	Description	Material	Max Operating Temp °C	Applicable JST Terminal
CS-28N009		Single Circuit Housing	Nylon 66 (UL94-V2)	130	SFO-(*)-(*)-110(*)-(*)-(*)-(*)
CS-28N009V0			Nylon 68 (UL94-V0)	140	

Note:

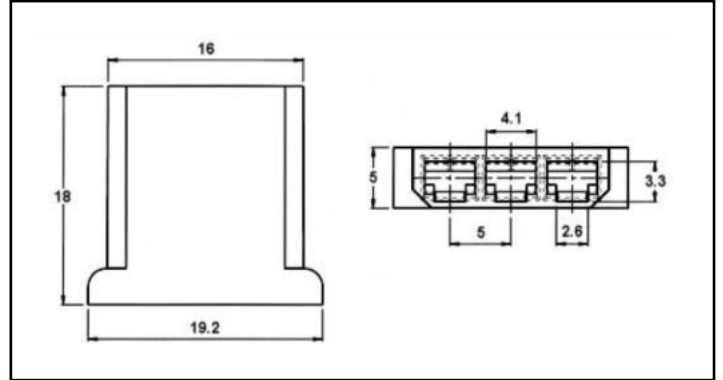
- 1) Example applicable JST Terminal; SFO-1.0T-110B-8L-E
- 2) Parts are available in different materials: Contact JST.
- 3) For availability, delivery and minimum order quantity details, contact JST.





110 SERIES

Insulation housings for terminals

07 Type (Straight) Housing <Made in Europe>



 File No. E172855

Part No	Standard	Description	Material	Max Operating Temp °C	Applicable JST Terminal
CS-28N010		Three Circuit Housing	Nylon 66 (UL94-V2)	130	STI-(*)-(*)-110(*)-(*)-(*)-(*)
CS-28N010V0			Nylon 68 (UL94-V0)	140	

Note:

- 1) Example applicable JST Terminal; STI-1.0T-110N-8-E
- 2) Parts are available in different materials: Contact JST.
- 3) For availability, delivery and minimum order quantity details, contact JST.