

Insulation Housings

197 Series

# Model Allocation Number

**CS 50 N 0 02**

**Sub Series**

**Series Code**

28 .... 28 Series  
48 .... 48 Series  
50 .... 50 Series  
63 .... 63 Series  
ISO .. ISO Series  
LK .... LOK Series  
SEK .. Self Locking Series  
TP .... Low Insertion Series

**Colour Code**

0 ..... Natural  
1 ..... White  
2 ..... Yellow  
3 ..... Red  
4 ..... Green  
5 ..... Black  
6 ..... Blue  
VI .... Violet  
MR ... Brown

**Material Code**

N ..... Polyamide  
F ..... Polyethylene  
S ..... Polycarbonate V0  
B ..... Polycarbonate V2  
PBT .. Polybutylene Terephthalate

# Insulation Housings

## 197 Series

### Model Allocation Number

**CS-50 N 0 02**

**Series Code**

28 .... 110 Series  
48 .... 187 Series  
50 .... 197 Series  
63 .... 250 Series  
ISO .. ISO Series  
LOK .. LOK Series  
SEK .. Self Locking Series  
TP .... Low Insertion Series

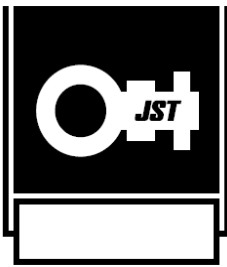
**Material Code**

N ..... Polyamide  
F ..... Polyethylene  
S ..... Polycarbonate V0  
B ..... Polycarbonate V2  
PBT .. Polybutylene Terephthalate

**Sub Series**

**Colour Code**

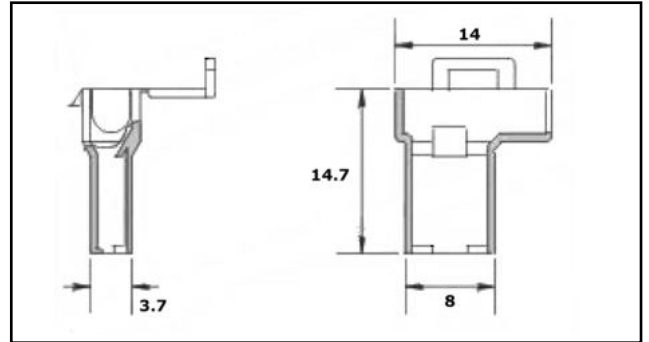
0 ..... Natural  
1 ..... White  
2 ..... Yellow  
3 ..... Red  
4 ..... Green  
5 ..... Black  
6 ..... Blue  
VI .... Violet  
MR ... Brown



# 197 SERIES

Insulation housings for terminals

## 05 TP Type (Flag) Housing <Made in Europe>



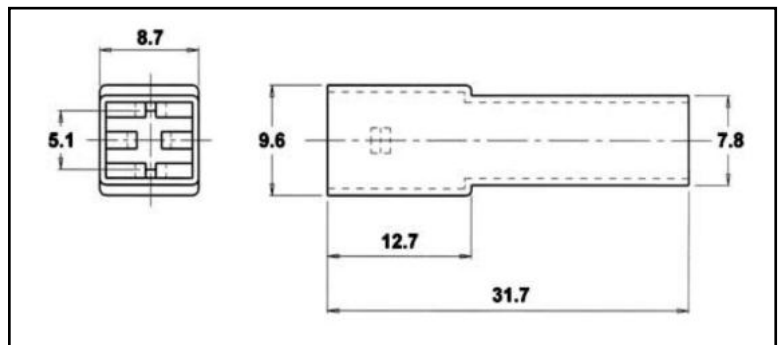
JST File No. E172855

| Part No     | Standard | Description            | Material           | Max Operating Temp °C | Applicable JST Terminal |
|-------------|----------|------------------------|--------------------|-----------------------|-------------------------|
| CS-50N001   | JST      | Single Circuit Housing | Nylon 66 (UL94-V2) | 130                   | SFO-1.5(*)-197N(*)-5L-E |
| CS-50N001V0 |          |                        | Nylon 68 (UL94-V0) | 140                   |                         |

Note:

- 1) Colour Coding: 0=Natural, 5=Black. Example CS-50N501 = Black Housing.
- 2) Example applicable JST Terminal; SFO-1.5-197N-5L-E
- 3) Parts are available in different materials: Contact JST.
- 4) For availability, delivery and minimum order quantity details, contact JST.

## 01 Type (Straight) Housing <Made in Europe>



JST File No. E172855

| Part No     | Standard | Description            | Material           | Max Operating Temp °C | Applicable JST Terminal |
|-------------|----------|------------------------|--------------------|-----------------------|-------------------------|
| CS-50N002   | JST      | Single Circuit Housing | Nylon 66 (UL94-V2) | 130                   | --                      |
| CS-50N002V0 |          |                        | Nylon 68 (UL94-V0) | 140                   |                         |

Note:

- 1) Parts are available in different materials: Contact JST.
- 2) For availability, delivery and minimum order quantity details, contact JST.