

**Insulation Housings**

**250 Series**

# Model Allocation Number

**CS 63 N 0 02**

## Series Code

28 .... 28 Series  
48 .... 48 Series  
50 .... 50 Series  
63 .... 63 Series  
ISO .. ISO Series  
LK .... LOK Series  
SEK .. Self Locking Series  
TP .... Low Insertion Series

## Material Code

N ..... Polyamide  
F ..... Polyethylene  
S ..... Polycarbonate V0  
B ..... Polycarbonate V2  
PBT .. Polybutylene Terephthalate

## Sub Series

## Colour Code

0 ..... Natural  
1 ..... White  
2 ..... Yellow  
3 ..... Red  
4 ..... Green  
5 ..... Black  
6 ..... Blue  
VI .... Violet  
MR ... Brown

# Insulation Housings

## 250 Series

### Model Allocation Number

**CS-63 N 0 02**

**Series Code**

28 .... 110 Series  
48 .... 187 Series  
50 .... 197 Series  
63 .... 250 Series  
ISO .. ISO Series  
LOK .. LOK Series  
SEK .. Self Locking Series  
TP .... Low Insertion Series

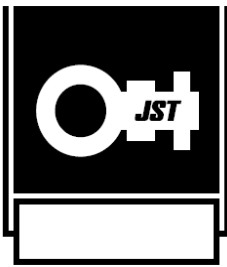
**Material Code**

N ..... Polyamide  
F ..... Polyethylene  
S ..... Polycarbonate V0  
B ..... Polycarbonate V2  
PBT .. Polybutylene Terephthalate

**Sub Series**

**Colour Code**

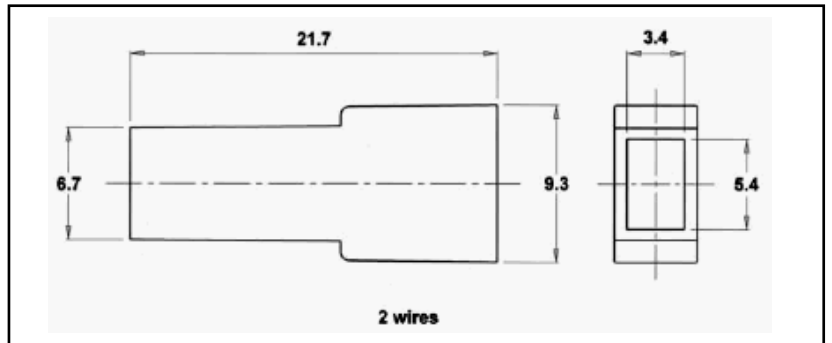
0 ..... Natural  
1 ..... White  
2 ..... Yellow  
3 ..... Red  
4 ..... Green  
5 ..... Black  
6 ..... Blue  
VI .... Violet  
MR ... Brown



# 250 SERIES

Insulation housings for terminals

## 01 Type (Straight) Housing <Made in Europe>



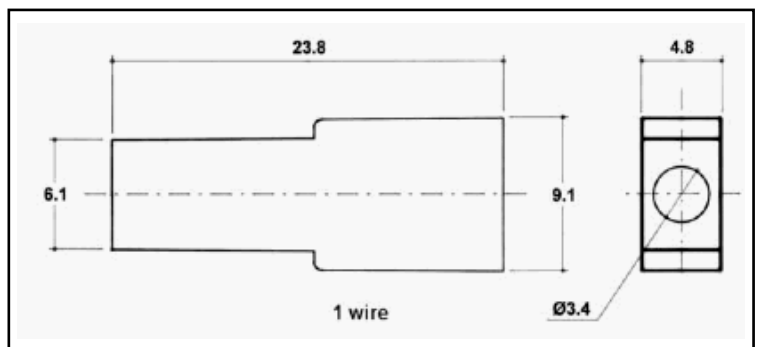
File No. E172855

Part No	Standard	Description	Material	Max Operating Temp °C	Applicable JST Terminal
CS-63F001		Single Circuit Housing (Pre-Fit)	PE (UL94-HB)	50	STO-(*)-250(*)-(*)-(*)-(*)
CS-63N001			Nylon 66 (UL94-V2)	130	
CS-63N001V0			Nylon 68 (UL94-V0)	140	

Note:

- 1) Colour coding: 0=Natural, 1=White, 2=Yellow, 3=Red, 4=Green, 5=Black, 6=Blue Example CS-63N501 = Black Housing.
- 2) Example applicable JST Terminal; STO-1.0T-250N
- 3) Parts are available in different materials: Contact JST.
- 4) For availability, delivery and minimum order quantity details, contact JST.

## 02 Type (Straight) Housing <Made in Europe>

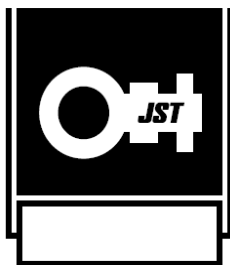


File No. E172855

Part No	Standard	Description	Material	Max Operating Temp °C	Applicable JST Terminal
CS-63F002		Single Circuit Housing (Pre-Fit)	PE (UL94-HB)	50	STO-(*)-250(*)-(*)-(*)-(*)
CS-63N002			Nylon 66 (UL94-V2)	130	
CS-63N002V0			Nylon 68 (UL94-V0)	140	

Note:

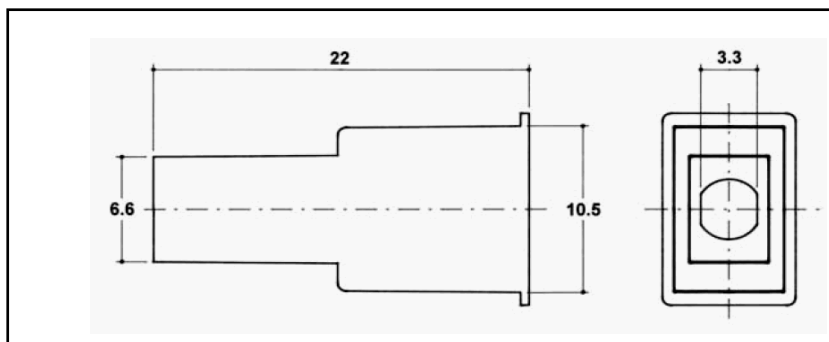
- 1) Colour coding: 0=Natural, 2=Yellow, 3=Red, 4=Green, 5=Black. Example CS-63N502 = Black Housing.
- 2) Example applicable JST Terminal; STO-1.0T-250N
- 3) Parts are available in different materials: Contact JST.
- 4) For availability, delivery and minimum order quantity details, contact JST.



# 250 SERIES

Insulation housings for terminals

## 03 Type (Straight) Housing <Made in Europe>

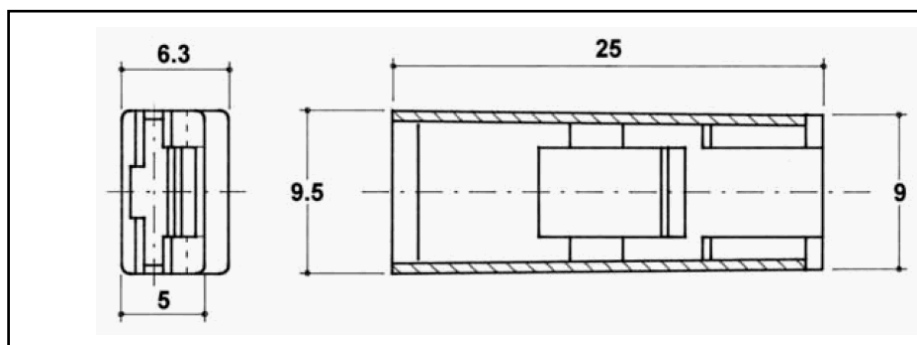


File No. E172855

Part No	Standard	Description	Material	Max Operating Temp °C	Applicable JST Terminal	Applicable Mating Housing
CS-63F003		Single Circuit Housing (Pre-Fit)	PE (UL94-HB)	50	SOM-(*)-(*)-250(*)-(*)-(*)-(*)	CS-63F004
01016 (CS-63N003)			Nylon 66 (UL94-V2)	130		01022-250 (CS-63N004), CS-63N004.02,
CS-63N003V0			Nylon 68 (UL94-V0)	140		CS-63N004V0, CS-63N004.02V0 CS-63N004FV0

- Note:
- 1) Colour coding: 0=Natural, 3=Red, 4=Green, 5=Black, 6=Blue. Example CS-63N503 = Black Housing.
  - 2) Example applicable JST Terminal; SOM-51T-250
  - 3) Parts are available in different materials: Contact JST.
  - 4) For availability, delivery and minimum order quantity details, contact JST.

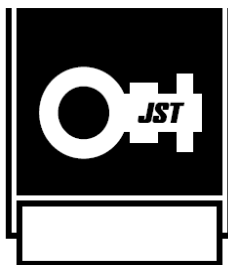
## 04 Type (Straight) Housing <Made in Europe>



File No. E172855

Part No	Standard	Description	Material	Max Operating Temp °C	Applicable JST Terminal	Applicable Mating Housing
01022-250		Single Circuit Housing	Nylon 66 (UL94-V2)	130	STO-(*)-(*)-250(*)-(*)-(*)-(*)	01016 (CS-63N003)
CS-63N004V0			Nylon 68 (UL94-V0)	140		CS-63N003V0

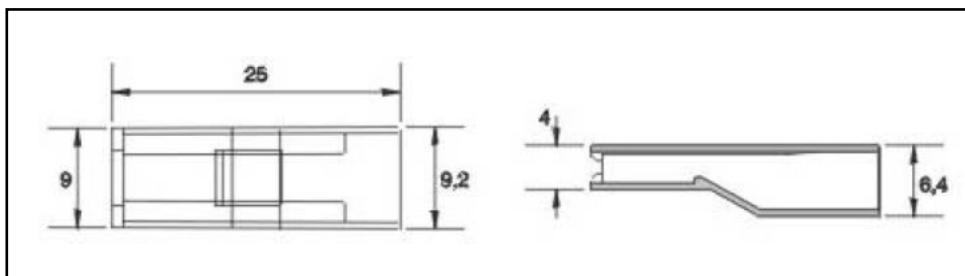
- Note:
- 1) Colour coding: 0=Natural, 1=White, 2=Yellow, 3=Red, 4=Green, 5=Black, 6=Blue. Example CS-63N504 = Black Housing.
  - 2) Example applicable JST Terminal; STO-1.0T-250N
  - 3) Parts are available in different materials: Contact JST.
  - 4) For availability, delivery and minimum order quantity details, contact JST.



# 250 SERIES

Insulation housings for terminals

## 06 TP Type (Straight) Housing <Made in Europe>



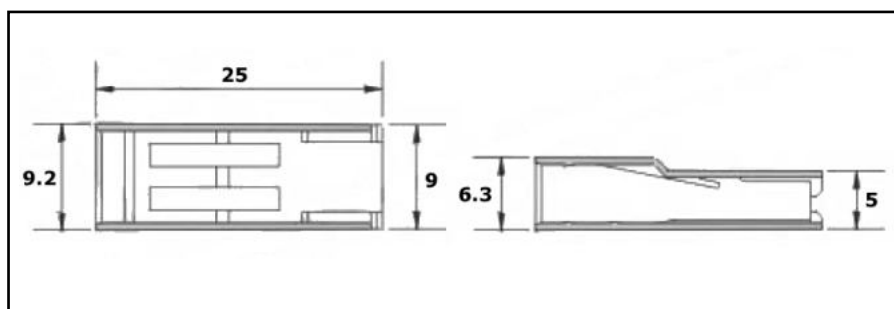
File No. E172855

Part No	Standard	Description	Material	Max Operating Temp °C	Applicable JST Terminal
CS-63N004.01		Single Circuit Housing	Nylon 66 (UL94-V2)	130	STO-(*)-(*)-250N(*)-8L-E-UP
CS-63N004.01V0			Nylon 68 (UL94-V0)	140	

Note:

- 1) Colour coding: 0=Natural, 2=Yellow, 3=Red, 4=Green, 5=Black, 6=Blue. Example CS-63N504.01 = Black Housing.
- 2) Example applicable JST Terminal; STO-1.0T-250N-8L-E-UP
- 3) Parts are available in different materials: Contact JST.
- 4) For availability, delivery and minimum order quantity details, contact JST.

## 05 Type (Straight) Housing <Made in Europe>

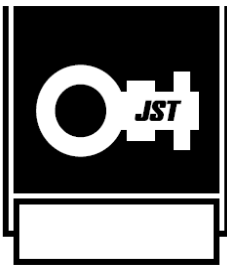


File No. E172855

Part No	Standard	Description	Material	Max Operating Temp °C	Applicable JST Terminal	Applicable Mating Housing
CS-63N004.02		Single Circuit Housing	Nylon 66 (UL94-V2)	130	STO-(*)-(*)-250(*)-(*)-(*)-(*)	01016 (CS-63N003)
CS-63N004.02V0			Nylon 68 (UL94-V0)	140		CS-63N003V0

Note:

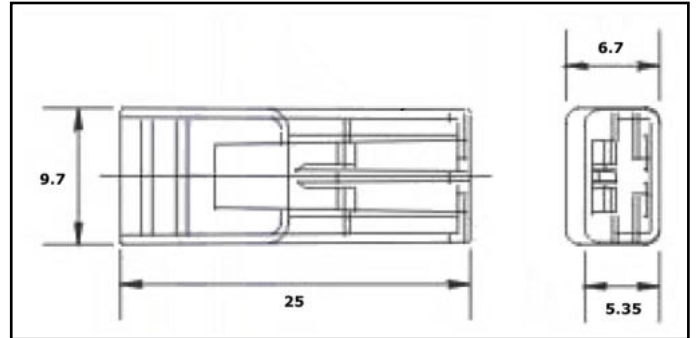
- 1) Colour coding: 0=Natural, 2=Yellow, 3=Red, 4=Green, 5=Black, 6=Blue. Example CS-63N504.02 = Black Housing.
- 2) Example applicable JST Terminal; STO-1.0T-250N
- 3) Parts are available in different materials: Contact JST.
- 4) For availability, delivery and minimum order quantity details, contact JST.



# 250 SERIES

Insulation housings for terminals

## 03 SEK Type (Straight) Housing <Made in Europe>



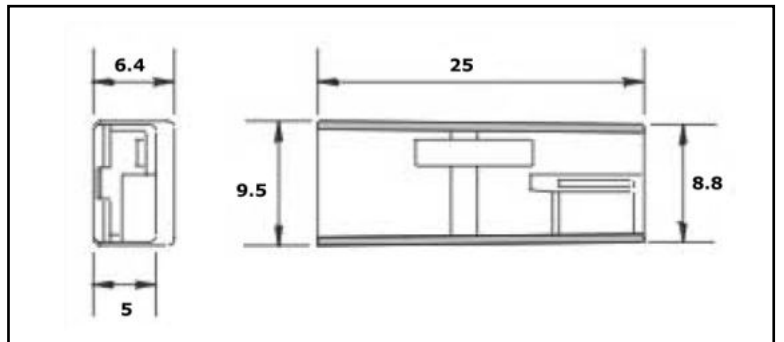
File No. E172855

Part No	Standard	Description	Material	Max Operating Temp °C	Applicable JST Terminal
CS-63N004.02STK		Single Circuit Housing	Nylon 66 (UL94-V2)	130	--
CS-63N004.02STKV0			Nylon 68 (UL94-V0)	140	

Note:

- 1) Parts are available in different materials: Contact JST.
- 2) For availability, delivery and minimum order quantity details, contact JST.

## 06 Type (Straight) Housing <Made in Europe>

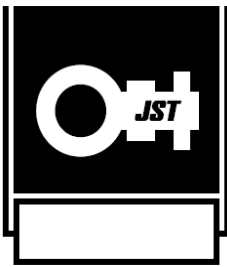


File No. E172855

Part No	Standard	Description	Material	Max Operating Temp °C	Applicable JST Terminal	Applicable Mating Housing
CS-63N004F		Single Circuit Housing	Nylon 66 (UL94-V2)	130	STO-(*)-(*)-250(*)-(*)-(*)-(*)	01016 (CS-63N003)
CS-63N004FV0			Nylon 68 (UL94-V0)	140		CS-63N003V0

Note:

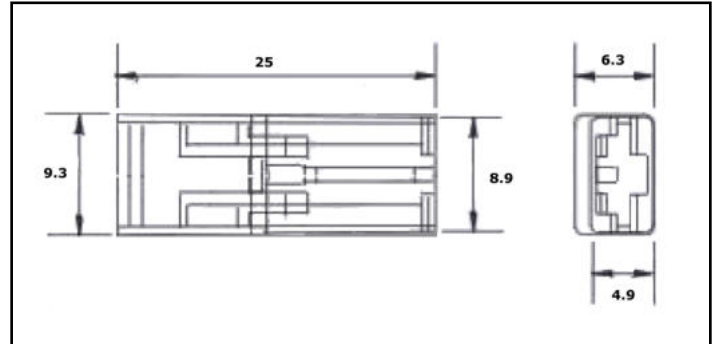
- 1) Colour coding: 0=Natural, 3=Red, 5=Black, 6=Blue. Example CS-63N504F = Black Housing.
- 2) Example applicable JST Terminal; STO-1.0T-250N
- 3) Parts are available in different materials: Contact JST.
- 4) For availability, delivery and minimum order quantity details, contact JST.



# 250 SERIES

Insulation housings for terminals

## 02 SEK Type (Straight) Housing <Made in Europe>



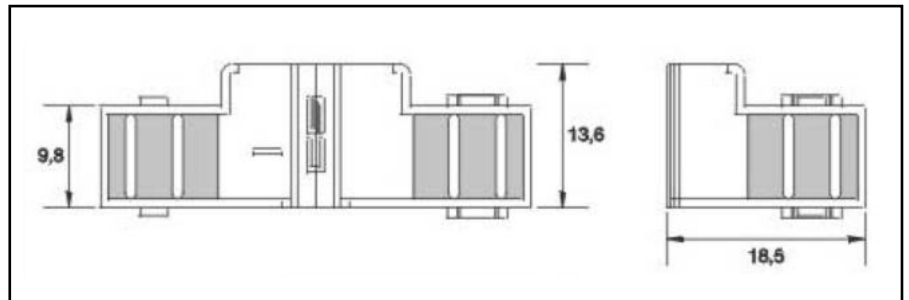
File No. E172855

Part No	Standard	Description	Material	Max Operating Temp °C	Applicable JST Terminal
CS-63N004STK		Single Circuit Housing	Nylon 66 (UL94-V2)	130	SPS-(*)-(*)-250(*)-(*)-(*)-(*)
CS-63N004STKV0			Nylon 68 (UL94-V0)	140	

Note:

- 1) Colour coding: 0=Natural, 3=Red, 5=Black, 6=Blue. Example CS-63N504STK = Black Housing.
- 2) Example applicable JST Terminal; SPS-1.0T-250N-8L-E-F1
- 3) Parts are available in different materials: Contact JST.
- 4) For availability, delivery and minimum order quantity details, contact JST.

## 07 Type (Flag) Housing <Made in Europe>



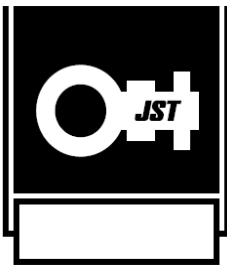
File No. E172855

Part No	Standard	Description	Material	Max Operating Temp °C	Applicable JST Terminal
CS-63N005		Single Circuit Housing	Nylon 66 (UL94-V2)	130	SFO-(*)-(*)-250(*)-(*)-(*)-(*)
CS-63N005V0			Nylon 68 (UL94-V0)	140	

Note:

- 1) Colour coding: 0=Natural, 3=Red, 5=Black. Example CS-63N505 = Black Housing.
- 2) Example applicable JST Terminal; SFO-1.0T-250N
- 3) Parts are available in different materials: Contact JST.
- 4) For availability, delivery and minimum order quantity details, contact JST.

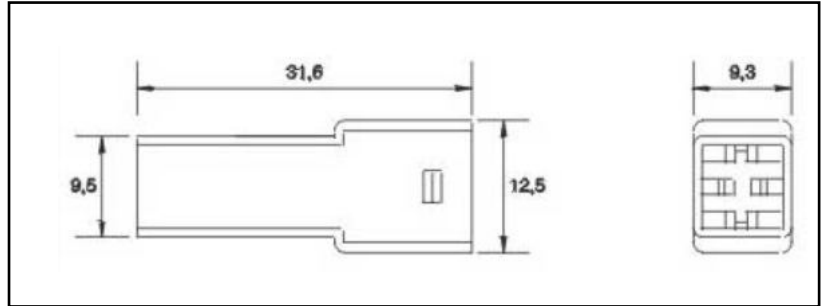




# 250 SERIES

Insulation housings for terminals

## 08 Type (Straight) Housing <Made in Europe>



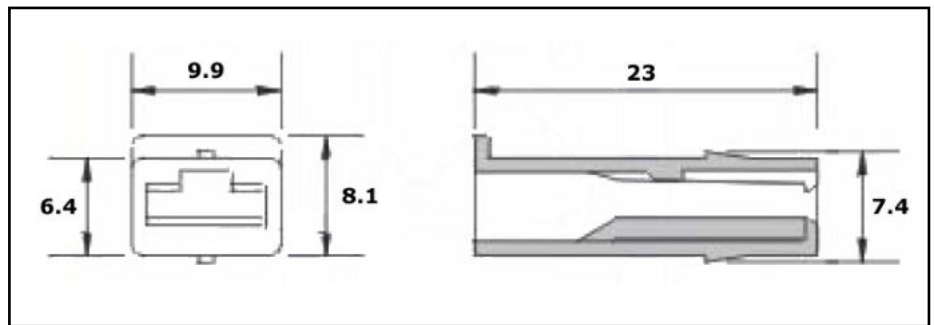
File No. E172855

Part No	Standard	Description	Material	Max Operating Temp °C	Applicable JST Terminal	Applicable Mating Housing
CS-63N006		Single Circuit Housing	Nylon 66 (UL94-V2)	130	SIM-(*)-250(*)-(*)-(*)-(*)-(*)	CS-63N007
CS-63N006V0			Nylon 68 (UL94-V0)	140		CS-63N007V0

Note:

- 1) Colour coding: 0=Natural, 3=Red, 5=Black. Example CS-63N506 = Black Housing.
- 2) Example applicable JST Terminal; SIM-1.0T-250D
- 3) Parts are available in different materials: Contact JST.
- 4) For availability, delivery and minimum order quantity details, contact JST.

## 09 Type (Straight) Housing <Made in Europe>

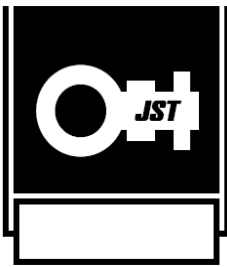


File No. E172855

Part No	Stand-	Description	Material	Max Operating Temp °C	Applicable JST Terminal	Applicable Mating Housing
CS-63N007		Single Circuit Housing	Nylon 66 (UL94-V2)	130	STI-(*)-250(*)-(*)-(*)-(*)	CS-63N006
CS-63N007V0			Nylon 68 (UL94-V0)	140		CS-63N006V0

Note:

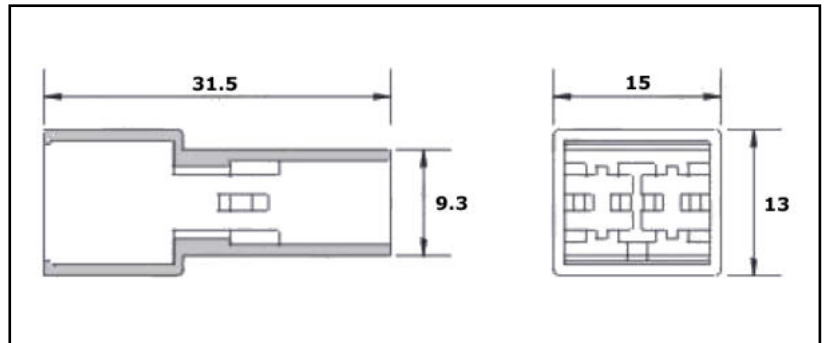
- 1) Colour coding: 0=Natural, 3=Red, 4=Green, 5=Black, 6=Blue. Example CS-63N507 = Black Housing.
- 2) Example applicable JST Terminal; STI-1.0T-250D
- 3) Parts are available in different materials: Contact JST.
- 4) For availability, delivery and minimum order quantity details, contact JST.



# 250 SERIES

Insulation housings for terminals

## 10 Type (Straight) Housing <Made in Europe>



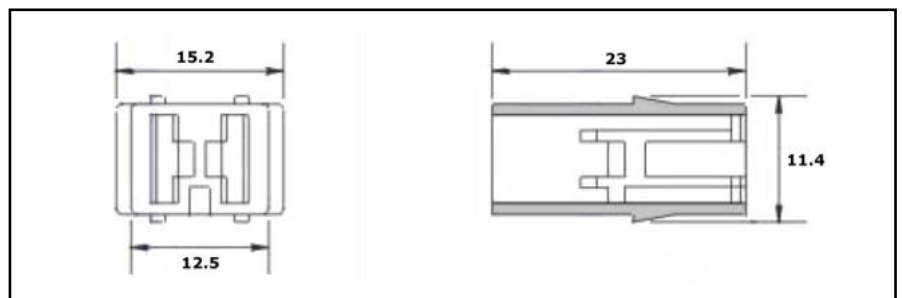
File No. E172855

Part No	Standard	Description	Material	Max Operating Temp °C	Applicable JST Terminal	Applicable Mating Housing
CS-63N008	JST	Two Circuit Housing	Nylon 66 (UL94-V2)	130	SIM-(*)-(*)-250(*)-(*)-(*)-(*)-(*)	CS-63N009, CS-63N011
CS-63N008V0			Nylon 68 (UL94-V0)	140		CS-63N009V0, CS-63N011V0

Note:

- 1) Colour coding: 0=Natural, 3=Red, 4=Green, 5=Black, 6=Blue. Example CS-63N508 = Black Housing.
- 2) Example applicable JST Terminal; SIM-1.0T-250D
- 3) Parts are available in different materials: Contact JST.
- 4) For availability, delivery and minimum order quantity details, contact JST.

## 11 Type (Straight) Housing <Made in Europe>

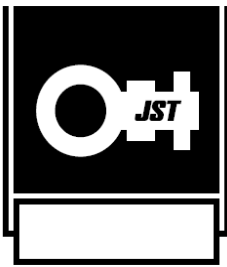


File No. E172855

Part No	Standard	Description	Material	Max Operating Temp °C	Applicable JST Terminal	Applicable Mating Housing
CS-63N009	JST	Two Circuit Housing	Nylon 66 (UL94-V2)	130	STI-(*)-(*)-250(*)-(*)-(*)-(*)-(*)	CS-63N008
CS-63N009V0			Nylon 68 (UL94-V0)	140		CS-63N008V0

Note:

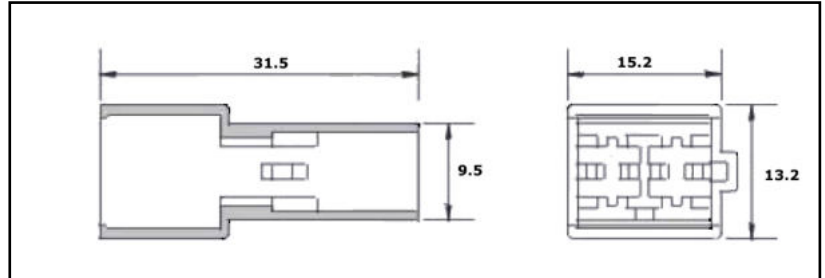
- 1) Colour coding: 0=Natural, 2=Yellow, 3=Red, 4=Green, 5=Black, 6=Blue. Example CS-63N509 = Black Housing.
- 2) Example applicable JST Terminal; STI-1.0T-250D
- 3) Parts are available in different materials: Contact JST.
- 4) For availability, delivery and minimum order quantity details, contact JST.



# 250 SERIES

Insulation housings for terminals

## 12 Type (Straight) Housing <Made in Europe>

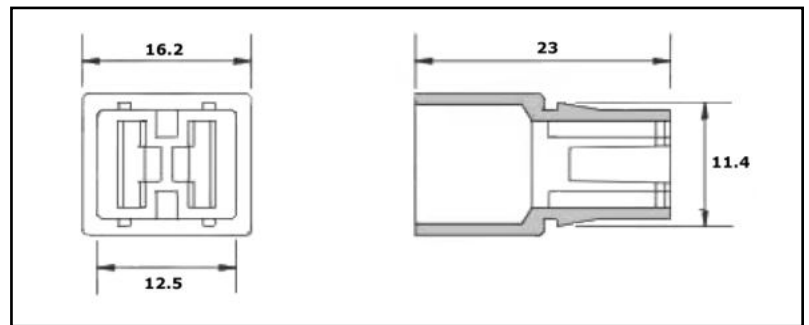


File No. E172855

Part No	Standard	Description	Material	Max Operating Temp °C	Applicable JST Terminal	Applicable Mating Housing
CS-63N010		Two Circuit Housing	Nylon 66 (UL94-V2)	130	SIM-(*)-250(*)-(*)-(*)-(*)-(*)	CS-63N012
CS-63N010V0			Nylon 68 (UL94-V0)	140		CS-63N012V0

- Note:
- 1) Colour coding: 0=Natural, 3=Red, 5=Black, 6=Blue. Example CS-63N510 = Black Housing.
  - 2) Example applicable JST Terminal; SIM-1.0T-250D
  - 3) Parts are available in different materials: Contact JST.
  - 4) For availability, delivery and minimum order quantity details, contact JST.

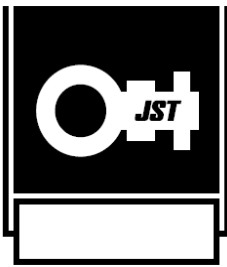
## 13 Type (Straight) Housing <Made in Europe>



File No. E172855

Part No	Standard	Description	Material	Max Operating Temp °C	Applicable JST Terminal	Applicable Mating Housing
CS-63N011		Two Circuit Housing	Nylon 66 (UL94-V2)	130	STI-(*)-250(*)-(*)-(*)-(*)-(*)	CS-63N009
CS-63N011V0			Nylon 68 (UL94-V0)	140		CS-63N009V0

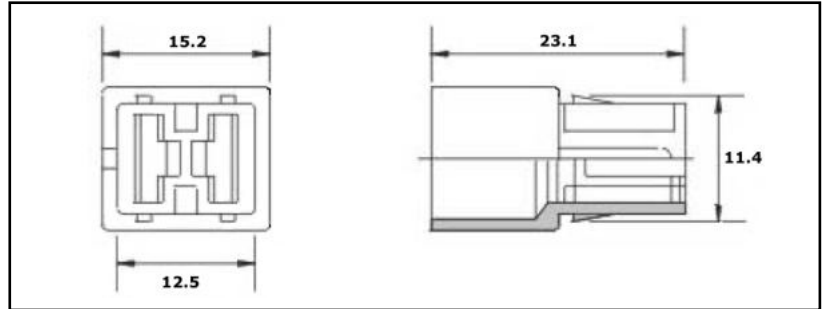
- Note:
- 1) Colour coding: 0=Natural, 3=Red, 5=Black, 6=Blue. Example CS-63N511 = Black Housing.
  - 2) Example applicable JST Terminal; STI-1.0T-250N
  - 3) Parts are available in different materials: Contact JST.
  - 4) For availability, delivery and minimum order quantity details, contact JST.



# 250 SERIES

Insulation housings for terminals

## 14 Type (Straight) Housing <Made in Europe>

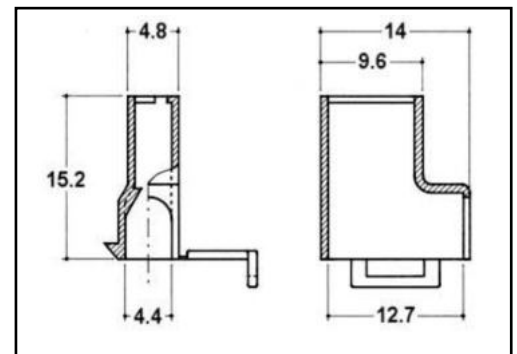


File No. E172855

Part No	Standard	Description	Material	Max Operating Temp °C	Applicable JST Terminal	Applicable Mating Housing
CS-63N012		Two Circuit Housing	Nylon 66 (UL94-V2)	130	STI-(*)-250(*)-(*)-(*)-(*)	CS-63N010
CS-63N012V0			Nylon 68 (UL94-V0)	140		CS-63N010V0

- Note:
- 1) Colour coding: 0=Natural, 3=Red, 5=Black. Example CS-63N512 = Black Housing.
  - 2) Example applicable JST Terminal; STI-1.0T-250D
  - 3) Parts are available in different materials: Contact JST.
  - 4) For availability, delivery and minimum order quantity details, contact JST.

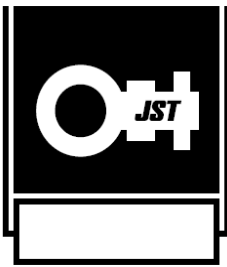
## 15 Type (Flag) Housing <Made in Europe>



File No. E172855

Part No	Standard	Description	Material	Max Operating Temp °C	Applicable JST Terminal
CS-63N013		Single Circuit Housing	Nylon 66 (UL94-V2)	130	SFO-(*)-250(*)-(*)-(*)-(*)
CS-63N013V0			Nylon 68 (UL94-V0)	140	

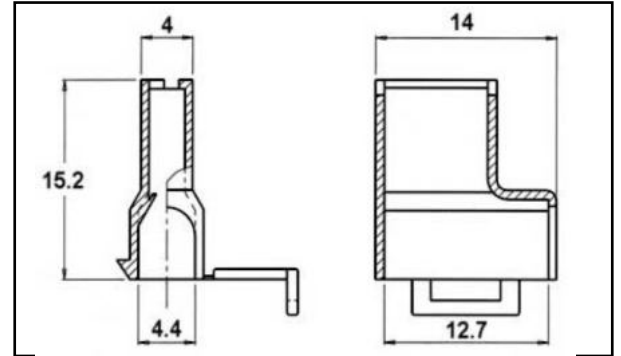
- Note:
- 1) Colour coding: 0=Natural, 3=Red, 5=Black. Example CS-63N513 = Black Housing.
  - 2) Example applicable JST Terminal; SFO-1.5T-250N-8-E-F3
  - 3) Parts are available in different materials: Contact JST.
  - 4) For availability, delivery and minimum order quantity details, contact JST.



# 250 SERIES

Insulation housings for terminals

## 07 TP Type (Flag) Housing <Made in Europe>



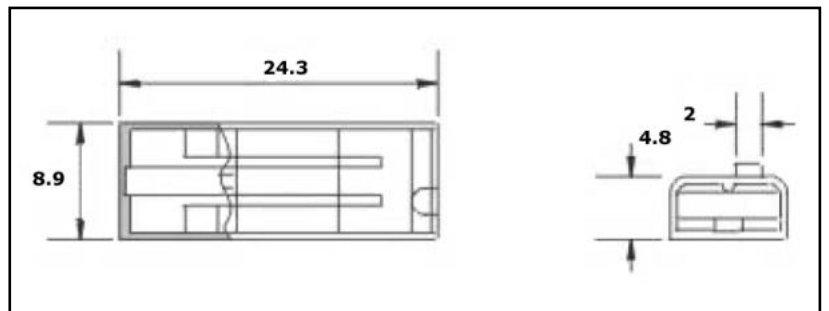
File No. E172855

Part No	Standard	Description	Material	Max Operating Temp °C	Applicable JST Terminal
CS-63N013.01		Single Circuit Housing	Nylon 66 (UL94-V2)	130	SFO-(*)-(*)-250(*)-(*)-(*)-(*)
CS-63N013.01V0			Nylon 68 (UL94-V0)	140	

Note:

- 1) Colour coding: 0=Natural, 3=Red, 5=Black. Example CS-63N513.01 = Black Housing.
- 2) Example applicable JST Terminal; SFO-1.5T-250N-8L-E
- 3) Parts are available in different materials: Contact JST.
- 4) For availability, delivery and minimum order quantity details, contact JST.

## 16 Type (Straight) Housing <Made in Europe>

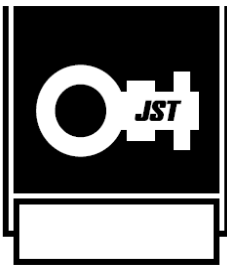


File No. E172855

Part No	Standard	Description	Material	Max Operating Temp °C	Applicable JST Terminal
CS-63N014		Single Circuit Housing	Nylon 66 (UL94-V2)	130	STO-(*)-(*)-250(*)-(*)-(*)-(*)
CS-63N014V0			Nylon 68 (UL94-V0)	140	

Note:

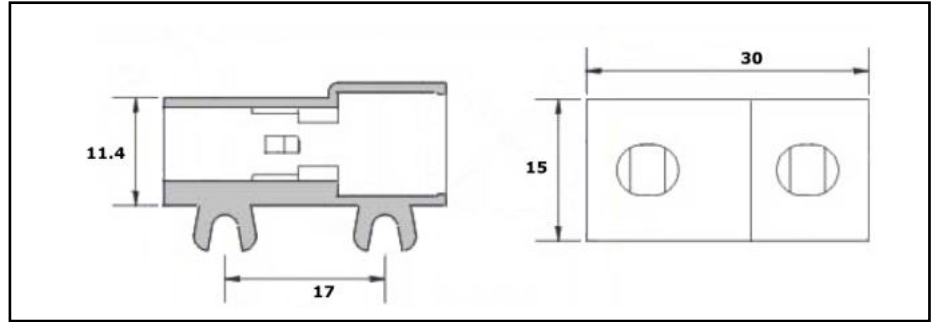
- 1) Colour coding: 0=Natural, 1=White, 2=Yellow, 3=Red, 4=Green, 5=Black, 6=Blue. Example CS-63N514 = Black Housing.
- 2) Example applicable JST Terminal; STO-1.0T-250N
- 3) Parts are available in different materials: Contact JST.
- 4) For availability, delivery and minimum order quantity details, contact JST.



# 250 SERIES

Insulation housings for terminals

## 17 Type (Straight) Housing <Made in Europe>



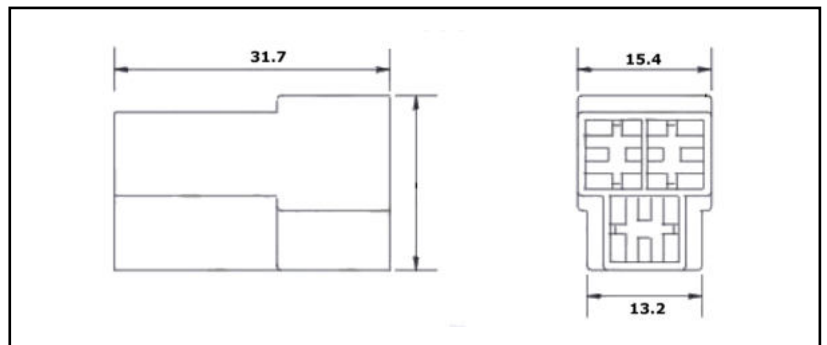
File No. E172855

Part No	Standard	Description	Material	Max Operating Temp °C	Applicable JST Terminal
CS-63N015		Two Circuit Housing	Nylon 66 (UL94-V2)	130	SIM-(*)-250(*)-(*)-(*)-(*)-(*)
CS-63N015V0			Nylon 68 (UL94-V0)	140	

Note:

- 1) Colour coding: 0=Natural, 3=Red, 4=Green, 5=Black, 6=Blue. Example CS-63N515 = Black Housing.
- 2) Example applicable JST Terminal; SIM-1.0T-250D
- 3) Parts are available in different materials: Contact JST.
- 4) For availability, delivery and minimum order quantity details, contact JST.

## 18 Type (Straight) Housing <Made in Europe>

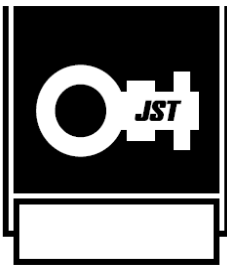


File No. E172855

Part No	Standard	Description	Material	Max Operating Temp °C	Applicable JST Terminal	Applicable Mating Housing
CS-63N016		Three Circuit Housing	Nylon 66 (UL94-V2)	130	SIM-(*)-250(*)-(*)-(*)-(*)-(*)	CS-63N017
CS-63N016V0			Nylon 68 (UL94-V0)	140		CS-63N017V0

Note:

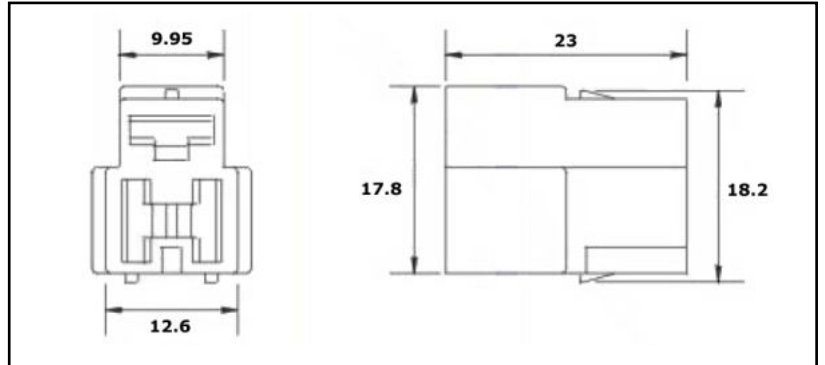
- 1) Colour coding: 0=Natural, 2=Yellow, 3=Red, 4=Green, 5=Black. Example CS-63N516 = Black Housing.
- 2) Example applicable JST Terminal; SIM-1.0T-250D
- 3) Parts are available in different materials: Contact JST.
- 4) For availability, delivery and minimum order quantity details, contact JST.



# 250 SERIES

Insulation housings for terminals

## 19 Type (Straight) Housing <Made in Europe>



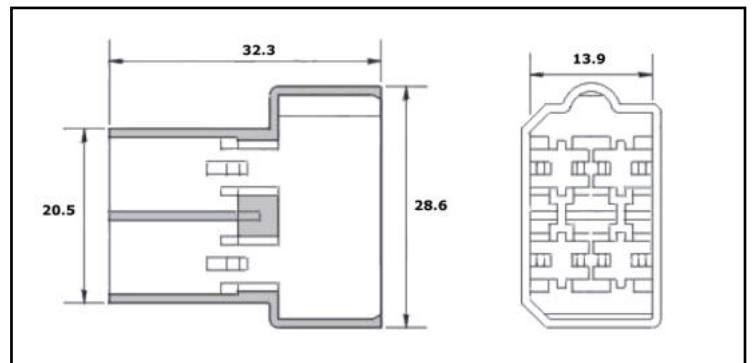
File No. E172855

Part No	Standard	Description	Material	Max Operating Temp °C	Applicable JST Terminal	Applicable Mating Housing
CS-63N017		Three Circuit Housing	Nylon 66 (UL94-V2)	130	STI-(*)-250(*)-(*)-(*)-(*)-(*)	CS-63N016
CS-63N017V0			Nylon 68 (UL94-V0)	140		CS-63N016V0

Note:

- 1) Colour coding: 0=Natural, 2=Yellow, 3=Red, 4=Green, 5=Black, 6=Blue. Example CS-63N517 = Black Housing.
- 2) Example applicable JST Terminal; STI-1.0T-250D
- 3) Parts are available in different materials: Contact JST.
- 4) For availability, delivery and minimum order quantity details, contact JST.

## 20 Type (Straight) Housing <Made in Europe>

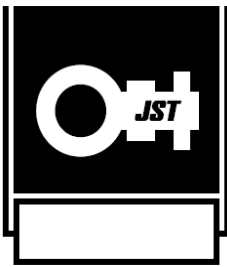


File No. E172855

Part No	Standard	Description	Material	Max Operating Temp °C	Applicable JST Terminal	Applicable Mating Housing
CS-63N018		Four Circuit Housing	Nylon 66 (UL94-V2)	130	SIM-(*)-250(*)-(*)-(*)-(*)-(*)	CS-63N019
CS-63N018V0			Nylon 68 (UL94-V0)	140		CS-63N019V0

Note:

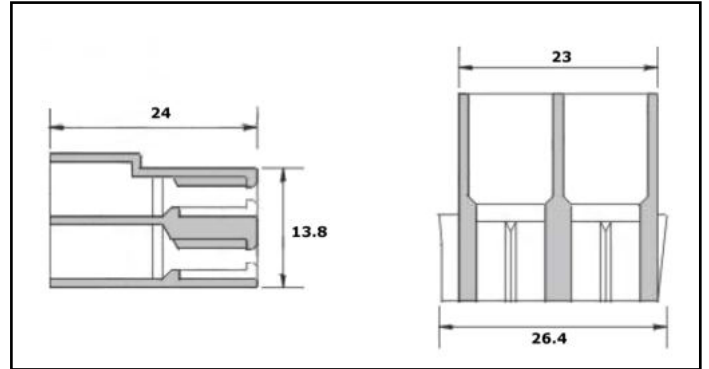
- 1) Colour coding: 0=Natural, 3=Red, 4=Green, 5=Black. Example CS-63N518 = Black Housing.
- 2) Example applicable JST Terminal; SIM-1.0T-250D
- 3) Parts are available in different materials: Contact JST.
- 4) For availability, delivery and minimum order quantity details, contact JST.



# 250 SERIES

Insulation housings for terminals

## 21 Type (Straight) Housing <Made in Europe>



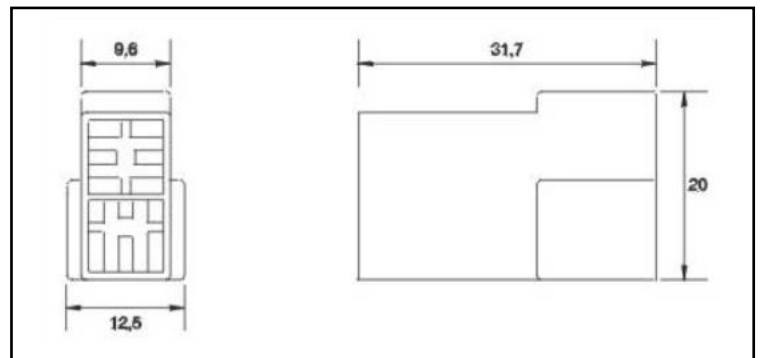
JST File No. E172855

Part No	Standard	Description	Material	Max Operating Temp °C	Applicable JST Terminal	Applicable Mating Housing
CS-63N019	JST	Four Circuit Housing	Nylon 66 (UL94-V2)	130	STI-(*)-250(*)-(*)-(*)-(*)	CS-63N018
CS-63N019V0			Nylon 68 (UL94-V0)	140		CS-63N018V0

Note:

- 1) Colour coding: 0=Natural, 3=Red, 4=Green, 5=Black. Example CS-63N519 = Black Housing.
- 2) Example applicable JST Terminal; STI-1.0T-250N
- 3) Parts are available in different materials: Contact JST.
- 4) For availability, delivery and minimum order quantity details, contact JST.

## 22 Type (Straight) Housing <Made in Europe>



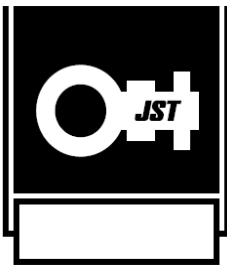
JST File No. E172855

Part No	Standard	Description	Material	Max Operating Temp °C	Applicable JST Terminal	Applicable Mating Housing
CS-63N020	JST	Two Circuit Housing	Nylon 66 (UL94-V2)	130	SIM-(*)-250(*)-(*)-(*)-(*)-(*)	CS-63N021
CS-63N020V0			Nylon 68 (UL94-V0)	140		CS-63N021V0

Note:

- 1) Colour coding: 0=Natural, 3=Red, 5=Black. Example CS-63N520 = Black Housing.
- 2) Example applicable JST Terminal; SIM-1.0T-250D
- 3) Parts are available in different materials: Contact JST.
- 4) For availability, delivery and minimum order quantity details, contact JST.

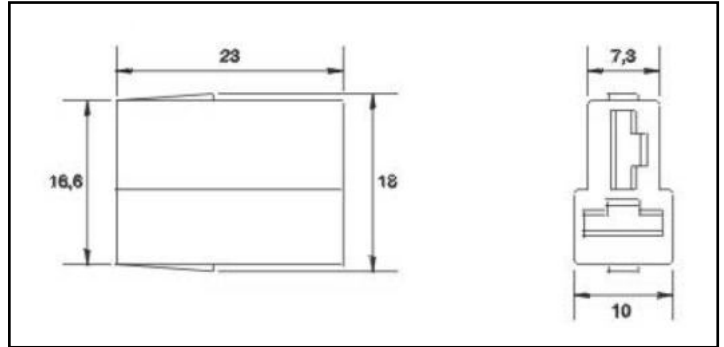




# 250 SERIES

Insulation housings for terminals

## 23 Type (Straight) Housing <Made in Europe>



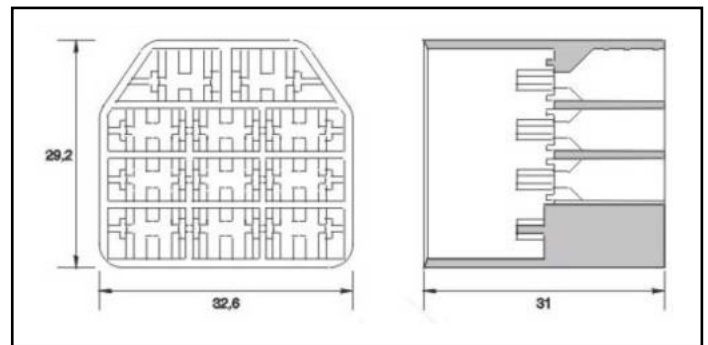
File No. E172855

Part No	Standard	Description	Material	Max Operating Temp °C	Applicable JST Terminal	Applicable Mating Housing
CS-63N021		Two Circuit Housing	Nylon 66 (UL94-V2)	130	STI-(*)-250(*)-(*)-(*)-(*)-(*)	CS-63N020
CS-63N021V0			Nylon 68 (UL94-V0)	140		CS-63N020V0

Note:

- 1) Colour coding: 0=Natural, 3=Red, 5=Black. Example CS-63N521 = Black Housing.
- 2) Example applicable JST Terminal; STI-1.0T-250N
- 3) Parts are available in different materials: Contact JST.
- 4) For availability, delivery and minimum order quantity details, contact JST.

## 24 Type (Straight) Housing <Made in Europe>

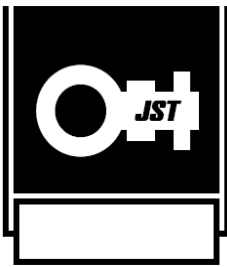


File No. E172855

Part No	Standard	Description	Material	Max Operating Temp °C	Applicable JST Terminal	Applicable Mating Housing
CS-63N022		Eleven Circuit Housing	Nylon 66FV	100	SIM-(*)-250(*)-(*)-(*)-(*)-(*)-(*)	CS-63N023

Note:

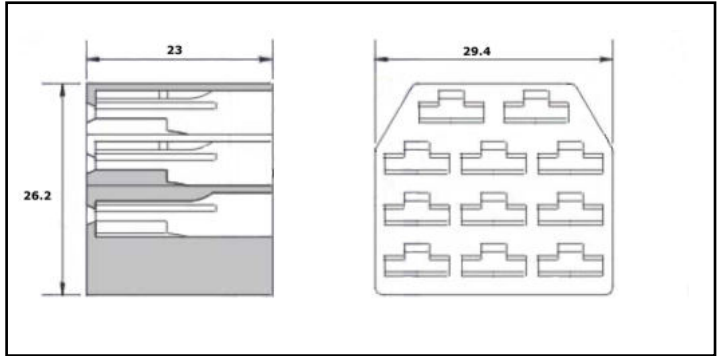
- 1) Colour coding: 0=Natural, 2=Yellow, 3=Red, 5=Black, 6=Blue. Example CS-63N522 = Black Housing.
- 2) Example applicable JST Terminal; SIM-1.0T-250D
- 3) Parts are available in different materials: Contact JST.
- 4) For availability, delivery and minimum order quantity details, contact JST.



# 250 SERIES

Insulation housings for terminals

## 25 Type (Straight) Housing <Made in Europe>

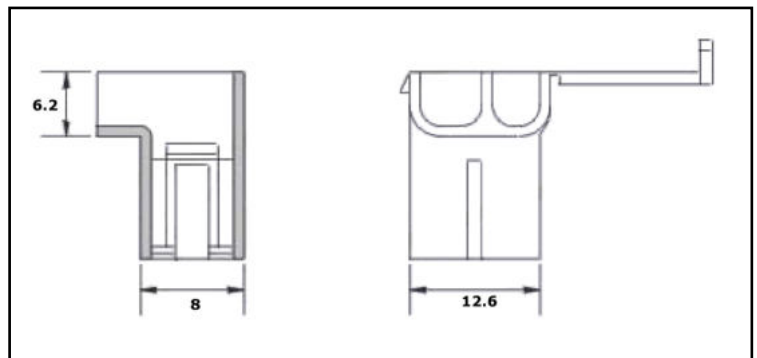


File No. E172855

Part No	Standard	Description	Material	Max Operating Temp °C	Applicable JST Terminal	Applicable Mating Housing
CS-63N023		Eleven Circuit Housing	Nylon 66 (UL94-V2)	130	STI-(*)-250(*)-(*)-(*)-(*)	CS-63N022
CS-63N023V0			Nylon 68 (UL94-V0)	140		

- Note:
- 1) Colour coding: 0=Natural, 3=Red, 5=Black. Example CS-63N523 = Black Housing.
  - 2) Example applicable JST Terminal; STI-1.0T-250N
  - 3) Parts are available in different materials: Contact JST.
  - 4) For availability, delivery and minimum order quantity details, contact JST.

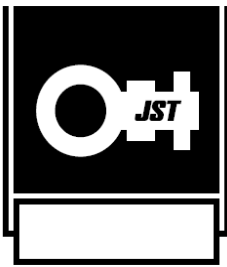
## 26 Type (Flag) Housing <Made in Europe>



File No. E172855

Part No	Standard	Description	Material	Max Operating Temp °C	Applicable JST Terminal
CS-63N024		Two Circuit Housing	Nylon 66 (UL94-V2)	130	--
CS-63N024V0			Nylon 68 (UL94-V0)	140	

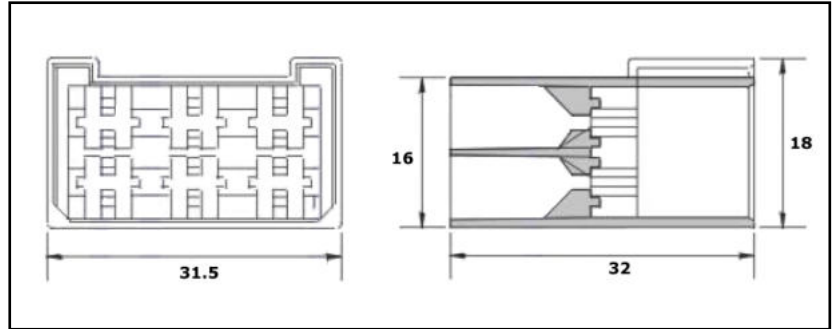
- Note:
- 1) Colour coding: 0=Natural, 5=Black. Example CS-63N524 = Black Housing.
  - 2) Parts are available in different materials: Contact JST.
  - 3) For availability, delivery and minimum order quantity details, contact JST.



# 250 SERIES

Insulation housings for terminals

## 27 Type (Straight) Housing <Made in Europe>



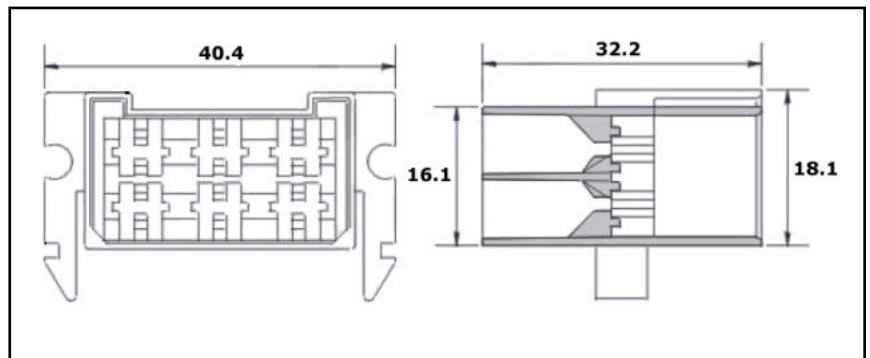
File No. E172855

Part No	Standard	Description	Material	Max Operating Temp °C	Applicable JST Terminal	Applicable Mating Housing
CS-63N025		Six Circuit Housing	Nylon 66 (UL94-V2)	130	SIM-(*)-(*)-250(*)-(*)-(*)-(*)-(*)	CS-63N026, CS-63N026A
CS-63N025V0			Nylon 68 (UL94-V0)	140		CS-63N026V0, CS-63N026AV0

Note:

- 1) Colour coding: 0=Natural, 3=Red, 4=Green, 5=Black, 6=Blue. Example CS-63N525 = Black Housing.
- 2) Example applicable JST Terminal; SIM-1.0T-250D
- 3) Parts are available in different materials: Contact JST.
- 4) For availability, delivery and minimum order quantity details, contact JST.

## 28 Type (Straight) Housing <Made in Europe>

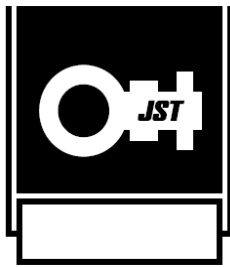


File No. E172855

Part No	Standard	Description	Material	Max Operating Temp °C	Applicable JST Terminal	Applicable Mating Housing
CS-63N025A		Six Circuit Housing	Nylon 66 (UL94-V2)	130	SIM-(*)-(*)-250(*)-(*)-(*)-(*)-(*)	CS-63N026A, CS-63N026
CS-63N025AV0			Nylon 68 (UL94-V0)	140		CS-63N026AV0, CS-63N026V0

Note:

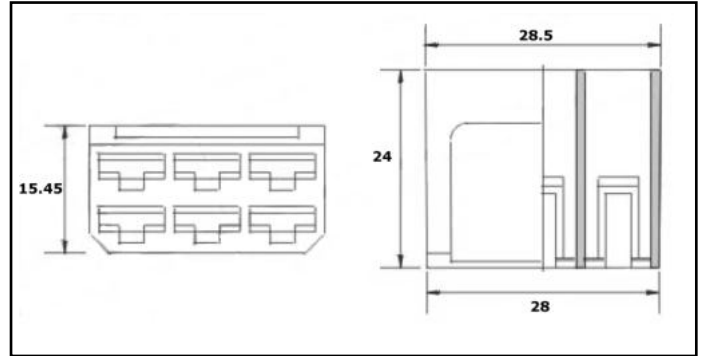
- 1) Colour coding: 0=Natural, 3=Red, 5=Black, 6=Blue. Example CS-63N525A = Black Housing.
- 2) Example applicable JST Terminal; SIM-1.0T-250D
- 3) Parts are available in different materials: Contact JST.
- 4) For availability, delivery and minimum order quantity details, contact JST.



# 250 SERIES

Insulation housings for terminals

## 29 Type (Straight) Housing <Made in Europe>



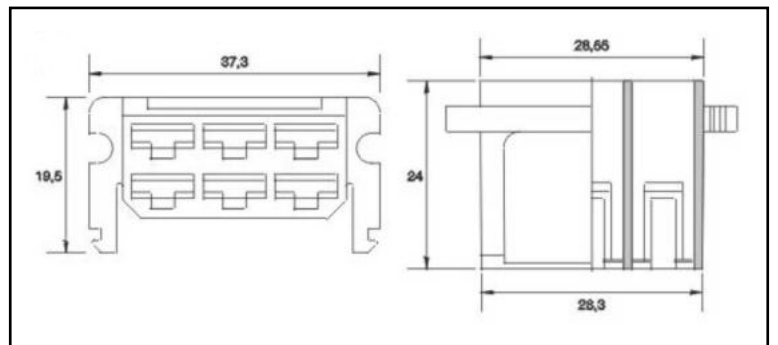
File No. E172855

Part No	Standard	Description	Material	Max Operating Temp °C	Applicable JST Terminal	Applicable Mating Housing
CS-63N026		Six Circuit Housing	Nylon 66 (UL94-V2)	130	STI-(*)-(*)-250(*)-(*)-(*)-(*)	CS-63N025, CS-63N025A
CS-63N026V0			Nylon 68 (UL94-V0)	140		CS-63N025V0, CS-63N025V0A

Note:

- 1) Colour coding: 0=Natural, 3=Red, 4=Green, 5=Black. Example CS-63N526 = Black Housing.
- 2) Example applicable JST Terminal; STI-1.0T-250N
- 3) Parts are available in different materials: Contact JST.
- 4) For availability, delivery and minimum order quantity details, contact JST.

## 30 Type (Straight) Housing <Made in Europe>

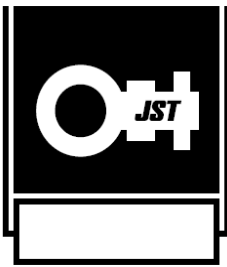


File No. E172855

Part No	Standard	Description	Material	Max Operating Temp °C	Applicable JST Terminal	Applicable Mating Housing
CS-63N026A		Six Circuit Housing	Nylon 66 (UL94-V2)	130	STI-(*)-(*)-250(*)-(*)-(*)-(*)	CS-63N025A, CS-63N025
CS-63N026AV0			Nylon 68 (UL94-V0)	140		CS-63N025AV0, CS-63N025V0

Note:

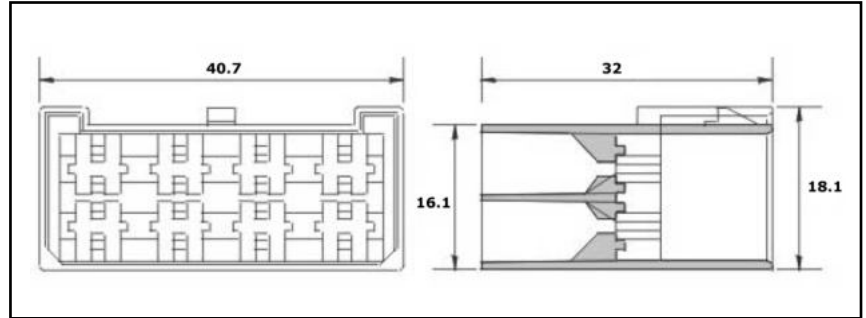
- 1) Colour coding: 0=Natural, 3=Red, 4=Green, 5=Black. Example CS-63N526A = Black Housing.
- 2) Example applicable JST Terminal; STI-1.0T-250N
- 3) Parts are available in different materials: Contact JST.
- 4) For availability, delivery and minimum order quantity details, contact JST.



# 250 SERIES

Insulation housings for terminals

## 31 Type (Straight) Housing <Made in Europe>



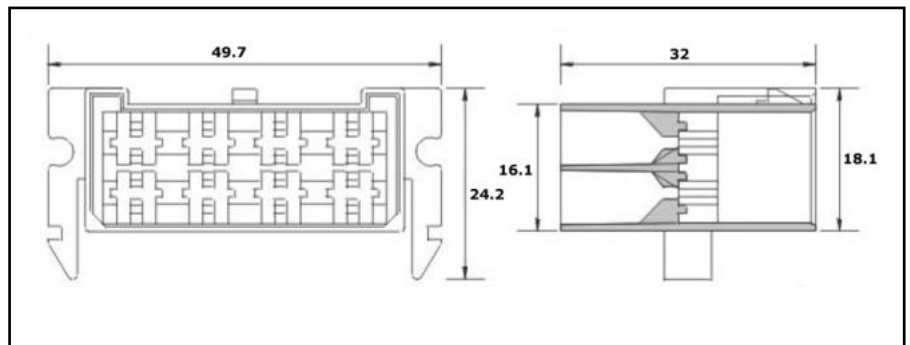
File No. E172855

Part No	Standard	Description	Material	Max Operating Temp °C	Applicable JST Terminal	Applicable Mating Housing
CS-63N027	JST	Eight Circuit Housing	Nylon 66 (UL94-V2)	130	SIM-(*)-250(*)-(*)-(*)-(*)-(*)	CS-63N028
CS-63N027V0			Nylon 68 (UL94-V0)	140		CS-63N028V0

Note:

- 1) Colour coding: 0=Natural, 3=Red, 5=Black. Example CS-63N527 = Black Housing.
- 2) Example applicable JST Terminal; SIM-1.0T-250D
- 3) Parts are available in different materials: Contact JST.
- 4) For availability, delivery and minimum order quantity details, contact JST.

## 32 Type (Straight) Housing <Made in Europe>

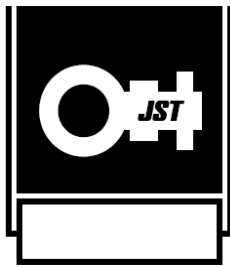


File No. E172855

Part No	Standard	Description	Material	Max Operating Temp °C	Applicable JST Terminal	Applicable Mating Housing
CS-63N027A	JST	Eight Circuit Housing	Nylon 66 (UL94-V2)	130	SIM-(*)-250(*)-(*)-(*)-(*)-(*)	CS-63N028
CS-63N027AV0			Nylon 68 (UL94-V0)	140		CS-63N028V0

Note:

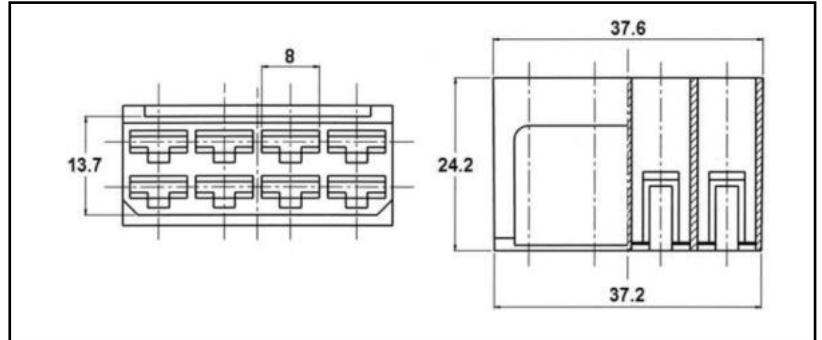
- 1) Colour coding: 0=White, 1=White, 3=Red, 5=Black. Example CS-63N527A = Black Housing.
- 2) Example applicable JST Terminal; SIM-1.0T-250D
- 3) Parts are available in different materials: Contact JST.
- 4) For availability, delivery and minimum order quantity details, contact JST.



# 250 SERIES

Insulation housings for terminals

## 33 Type (Straight) Housing <Made in Europe>

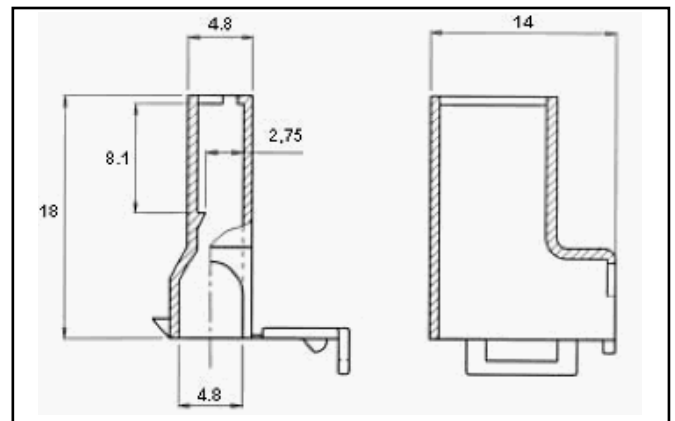


File No. E172855

Part No	Standard	Description	Material	Max Operating Temp °C	Applicable JST Terminal	Applicable Mating Housing
CS-63N028		Eight Circuit Housing	Nylon 66 (UL94-V2)	130	STI-(*)-250(*)-(*)-(*)-(*)	CS-63N027, CS63N027A
CS-63N028V0			Nylon 68 (UL94-V0)	140		CS-63N027V0, CS-63N027AV0

- Note:
- 1) Colour coding: 0=Natural, 2=Yellow, 3=Red, 5=Black. Example CS-63N528 = Black Housing.
  - 2) Example applicable JST Terminal; STI-1.0T-250N
  - 3) Parts are available in different materials: Contact JST.
  - 4) For availability, delivery and minimum order quantity details, contact JST.

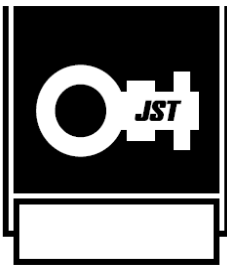
## 34 Type (Flag) Housing <Made in Europe>



File No. E172855

Part No	Standard	Description	Material	Max Operating Temp °C	Applicable JST Terminal
CS-63N029		Single Circuit Housing	Nylon 66 (UL94-V2)	130	SFO-(*)-250(*)-(*)-(*)-(*)
CS-63N029V0			Nylon 68 (UL94-V0)	140	

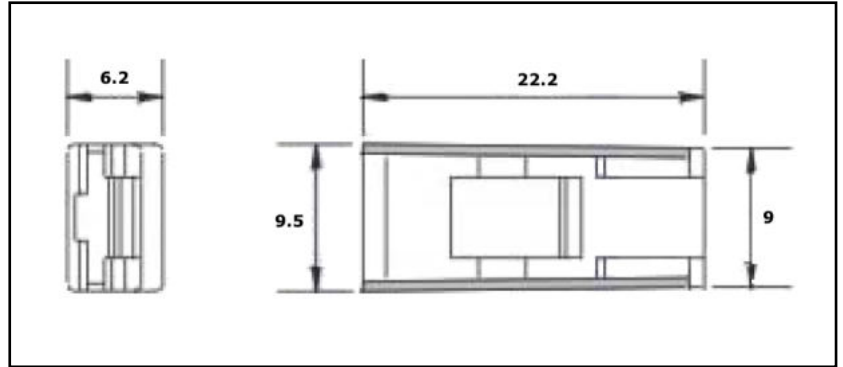
- Note:
- 1) Colour coding: 0=Natural, 1=White, 3=Red, 5=Black. Example CS-63N529 = Black Housing.
  - 2) Example applicable JST Terminal; SFO-1.0T-250N
  - 3) Parts are available in different materials: Contact JST.
  - 4) For availability, delivery and minimum order quantity details, contact JST.



# 250 SERIES

Insulation housings for terminals

## 35 Type (Straight) Housing <Made in Europe>



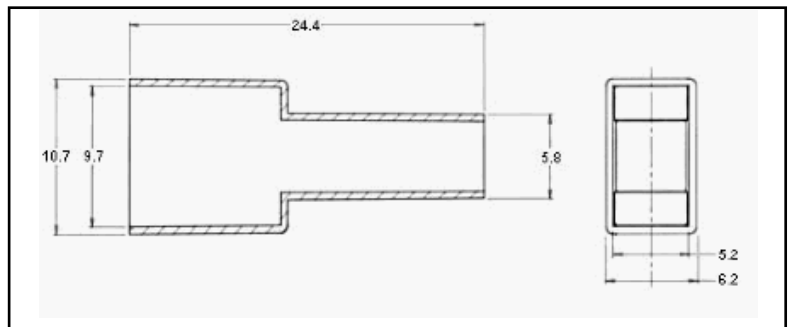
File No. E172855

Part No	Standard	Description	Material	Max Operating Temp °C	Applicable JST Terminal
CS-63N030		Single Circuit Housing	Nylon 66 (UL94-V2)	130	--
CS-63N030V0			Nylon 68 (UL94-V0)	140	

Note:

- 1) Colour coding: 0=Natural, 5=Black. Example CS-63N530 = Black Housing.
- 2) Parts are available in different materials: Contact JST.
- 3) For availability, delivery and minimum order quantity details, contact JST.

## 36 Type (Straight) Housing <Made in Europe>

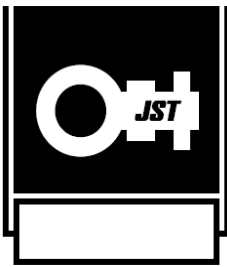


File No. E172855

Part No	Standard	Description	Material	Max Operating Temp °C	Applicable JST Terminal
CS-63N031		Single Circuit Housing	Nylon 66 (UL94-V2)	130	--
CS-63N031V0			Nylon 68 (UL94-V0)	140	

Note:

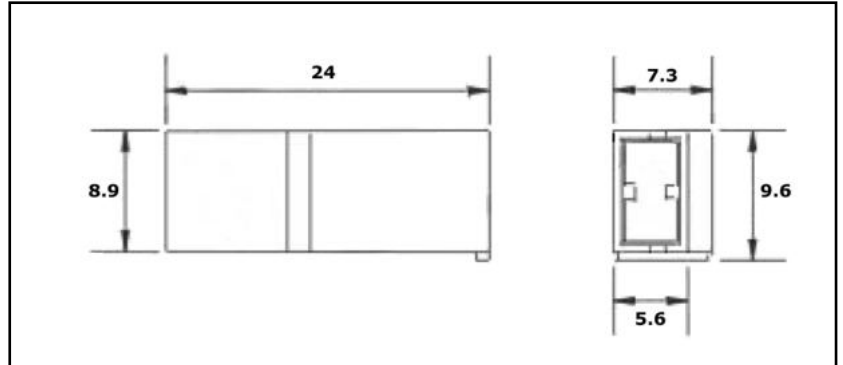
- 1) Colour coding: 0=Natural, 5=Black. Example CS-63N531 = Black Housing.
- 2) Parts are available in different materials: Contact JST.
- 3) For availability, delivery and minimum order quantity details, contact JST.



# 250 SERIES

Insulation housings for terminals

## 05 SEK Type (Straight) Housing <Made in Europe>



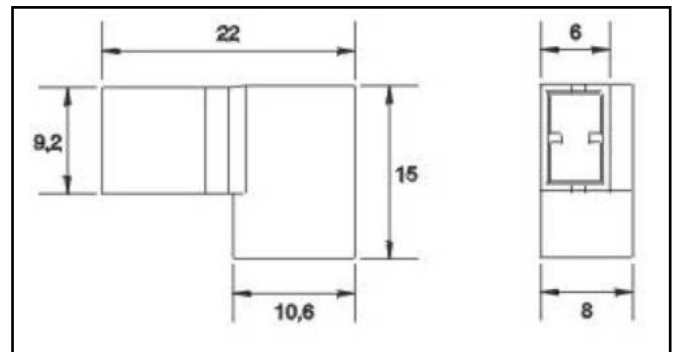
File No. E172855

Part No	Standard	Description	Material	Max Operating Temp °C	Applicable JST Terminal
CS-63N0367		Single Circuit Housing	Nylon 66 (UL94-V2)	130	--
CS-63N0367V0			Nylon 68 (UL94-V0)	140	

Note:

- 1) Colour coding: 0=Natural, 3=Red, 5=Black. Example CS-63N5367 = Black Housing.
- 2) Parts are available in different materials: Contact JST.
- 3) For availability, delivery and minimum order quantity details, contact JST.

## 06 SEK Type (Flag) Housing <Made in Europe>



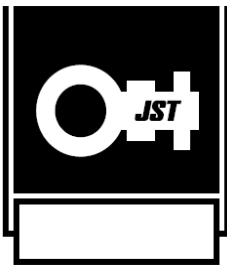
File No. E172855

Part No	Standard	Description	Material	Max Operating Temp °C	Applicable JST Terminal
CS-63N0371		Single Circuit Housing	Nylon 66 (UL94-V2)	130	--
CS-63N0371V0			Nylon 68 (UL94-V0)	140	

Note:

- 1) Colour coding: 0=Natural, 3=Red, 5=Black. Example CS-63N5371 = Black Housing.
- 2) Parts are available in different materials: Contact JST.
- 3) For availability, delivery and minimum order quantity details, contact JST.

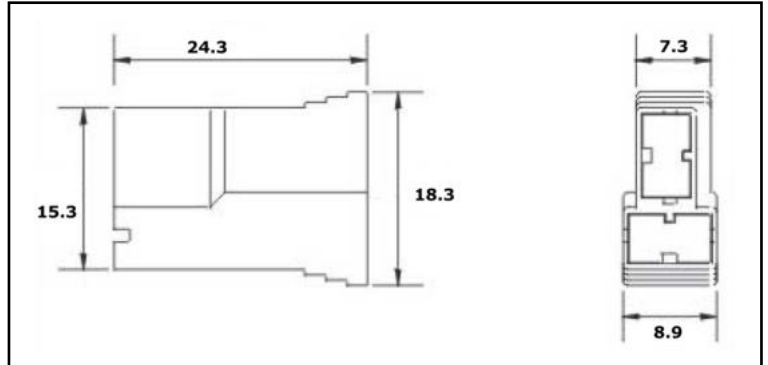




# 250 SERIES

Insulation housings for terminals

## 07 SEK Type (Straight) Housing <Made in Europe>



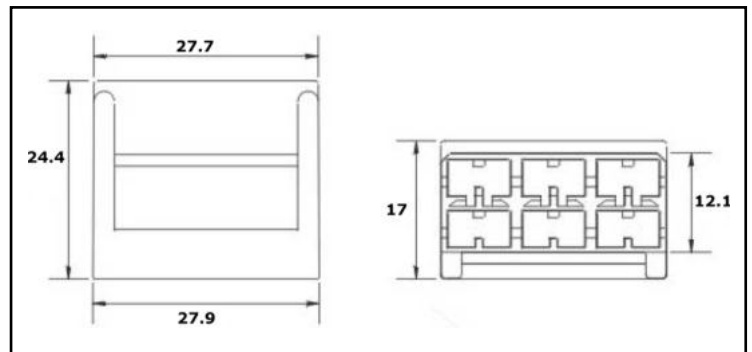
File No. E172855

Part No	Standard	Description	Material	Max Operating Temp °C	Applicable JST Terminal
CS-63N0372		Two Circuit Housing	Nylon 66 (UL94-V2)	130	--
CS-63N0372V0			Nylon 68 (UL94-V0)	140	

Note:

- 1) Colour coding: 0=Natural, 3=Red, 5=Black. Example CS-63N5372 = Black Housing.
- 2) Parts are available in different materials: Contact JST.
- 3) For availability, delivery and minimum order quantity details, contact JST.

## 08 SEK Type (Straight) Housing <Made in Europe>

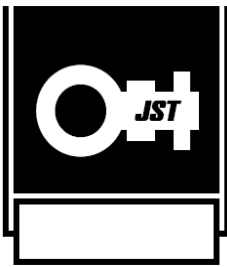


File No. E172855

Part No	Standard	Description	Material	Max Operating Temp °C	Applicable JST Terminal
CS-63N0376		Six Circuit Housing	Nylon 66 (UL94-V2)	130	--
CS-63N0376V0			Nylon 68 (UL94-V0)	140	

Note:

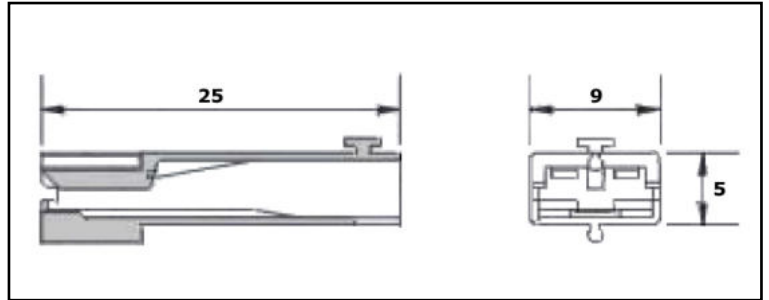
- 1) Parts are available in different materials: Contact JST.
- 2) For availability, delivery and minimum order quantity details, contact JST.



# 250 SERIES

Insulation housings for terminals

## 10 SEK Type (Straight) Housing <Made in Europe>



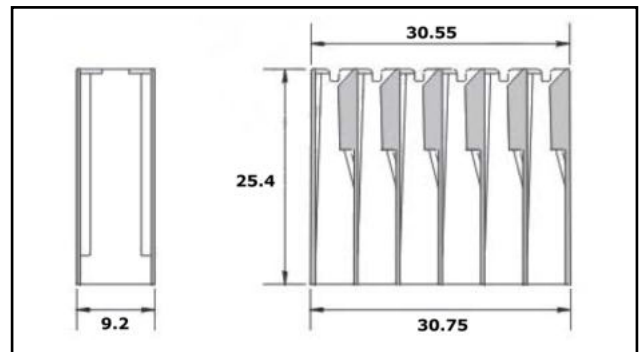
JST File No. E172855

Part No	Standard	Description	Material	Max Operating Temp °C	Applicable JST Terminal
CS-63P5	JST	Single Circuit Housing	Nylon 66 (UL94-V2)	130	--
CS-63P5V0			Nylon 68 (UL94-V0)	140	

Note:

- 1) Parts are available in different materials: Contact JST.
- 2) For availability, delivery and minimum order quantity details, contact JST.

## 04 SEK Type (Straight) Housing <Made in Europe>



JST File No. E172855

Part No	Standard	Description	Material	Max Operating Temp °C	Applicable JST Terminal
CS-M06VP5STK	JST	Six Circuit Housing	Nylon 66 (UL94-V2)	130	SPS-1.0(*)-250(*)-8L-E-F1
CS-M06VP5STKV0			Nylon 68 (UL94-V0)	140	

Note:

- 1) Colour coding: CS-M06VP5STK = Natural Housing, CS-M06VP5STK/RS = Red Housing
- 2) Example applicable JST Terminal; SPS-1.0T-250-8L-E-F1
- 3) Parts are available in different materials: Contact JST.
- 4) For availability, delivery and minimum order quantity details, contact JST.