

Insulation Housings

LOK Series

Model Allocation Number

CS-LK 02 F

Series Code

- 28 110 Series
- 48 187 Series
- 50 197 Series
- 63 250 Series
- ISO .. ISO Series
- LK LOK Series
- SEK .. Self Locking Series
- TP Low Insertion Series

F Female
M ... Male

Number of Circuits

Insulation Housings

LOK Series

Model Allocation Number

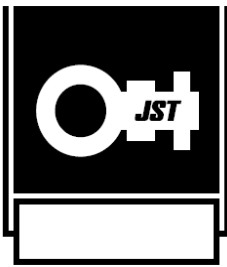
CS-LK 02 F

Series Code

28 110 Series
48 187 Series
50 197 Series
63 250 Series
ISO .. ISO Series
LK LOK Series
SEK .. Self Locking Series
TP Low Insertion Series

F Female
M ... Male

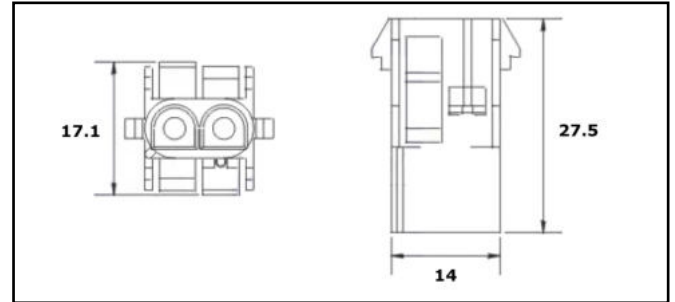
Number of Circuits



LOK SERIES

Insulation housings for terminals

01 Type (Straight) Housing <Made in Europe>



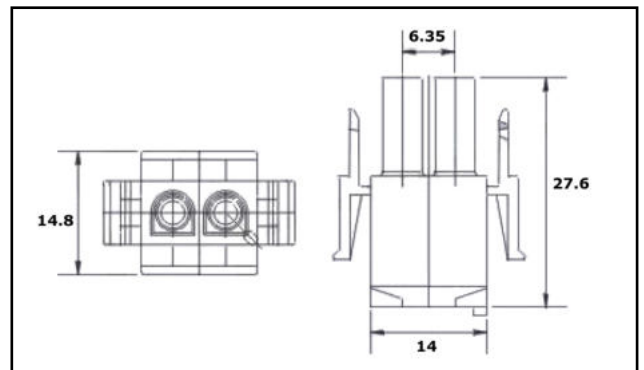
JST File No. E172855, E222213

Part No	Standard	Description	Material	Max Operating Temp °C	Applicable JST Terminal	Applicable Mating Housing
CS-LK02F	JST	Two Circuit Housing	Nylon 66 (UL94-V2)	130	SLM-(*)-(*)-2.1(*)-(*)-F1	CS-LK02M
CS-LK02FV0			Nylon 68 (UL94-V0)	140		CS-LK02MV0

Note:

- 1) Colour coding: Blank=Natural, RS=Red, NR=Black. Example CS-LK02FNR = Black Housing.
- 2) Example applicable JST Terminal; SLM-0.8T-2.1-E-F1
- 3) Parts are available in different materials: Contact JST.
- 4) For availability, delivery and minimum order quantity details, contact JST.

02 Type (Straight) Housing <Made in Europe>

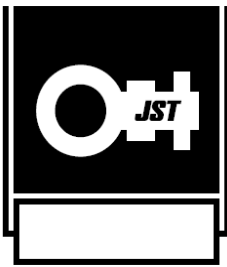


JST File No. E172855, E222213

Part No	Standard	Description	Material	Max Operating Temp °C	Applicable JST Terminal	Applicable Mating Housing
CS-LK02M	JST	Two Circuit Housing	Nylon 66 (UL94-V2)	130	SLF-(*)-(*)-2.1(*)-(*)	CS-LK02F
CS-LK02MV0			Nylon 68 (UL94-V0)	140		CS-LK02FV0

Note:

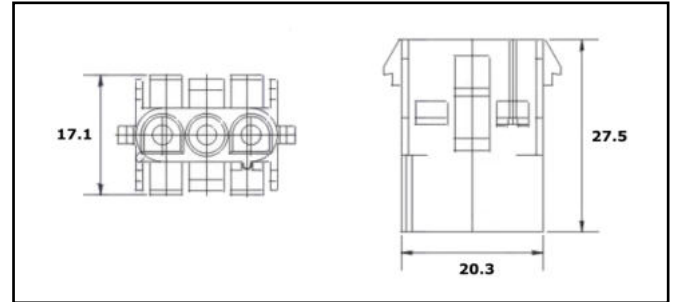
- 1) Colour coding: Blank=Natural, RS=Red, NR=Black. Example CS-LK02MNR = Black Housing.
- 2) Example applicable JST Terminal; SLF-0.8T-2.1-E
- 3) Parts are available in different materials: Contact JST.
- 4) For availability, delivery and minimum order quantity details, contact JST.



LOK SERIES

Insulation housings for terminals

03 Type (Straight) Housing <Made in Europe>



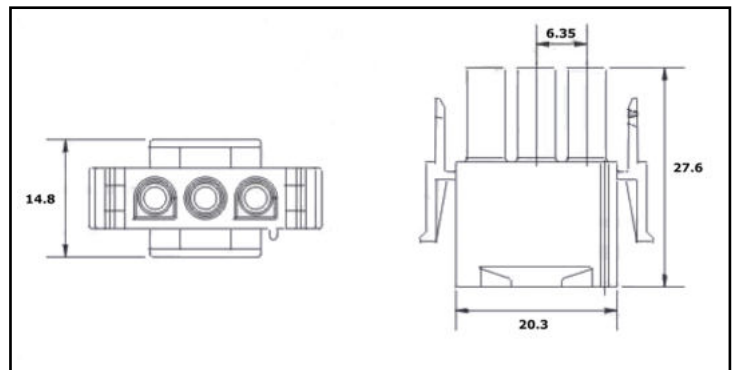
File No. E172855, E222213

Part No	Standard	Description	Material	Max Operating Temp °C	Applicable JST Terminal	Applicable Mating Housing
CS-LK03F		Three Circuit Housing	Nylon 66 (UL94-V2)	130	SLM-(*) (*)-2.1(*) (*)-F1	CS-LK03M
CS-LK03FV0			Nylon 68 (UL94-V0)	140		CS-LK03MV0

Note:

- 1) Colour coding: Blank=Natural, RS=Red, VE=Green, NR=Black. Example CS-LK03FNR = Black Housing.
- 2) Example applicable JST Terminal; SLM-0.8T-2.1-E-F1
- 3) Parts are available in different materials: Contact JST.
- 4) For availability, delivery and minimum order quantity details, contact JST.

04 Type (Straight) Housing <Made in Europe>

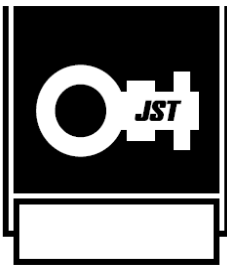


File No. E172855, E222213

Part No	Standard	Description	Material	Max Operating Temp °C	Applicable JST Terminal	Applicable Mating Housing
CS-LK03M		Three Circuit Housing	Nylon 66 (UL94-V2)	130	SLF-(*) (*)-2.1(*) (*)	CS-LK03F
CS-LK03MV0			Nylon 68 (UL94-V0)	140		CS-LK03FV0

Note:

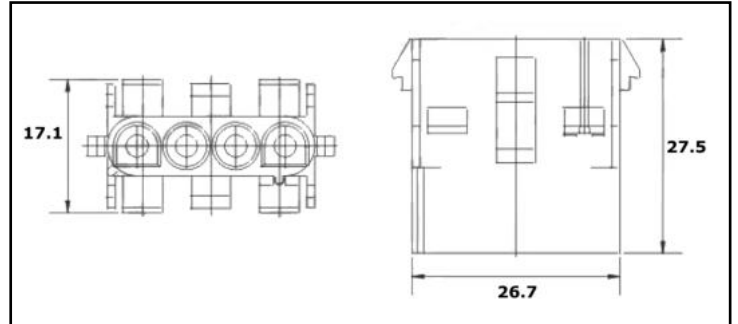
- 1) Colour coding: Blank=Natural, RS=Red, VE=Green, NR=Black. Example CS-LK03MNR = Black Housing.
- 2) Example applicable JST Terminal; SLF-0.8T-2.1-E
- 3) Parts are available in different materials: Contact JST.
- 4) For availability, delivery and minimum order quantity details, contact JST.



LOK SERIES

Insulation housings for terminals

05 Type (Straight) Housing <Made in Europe>



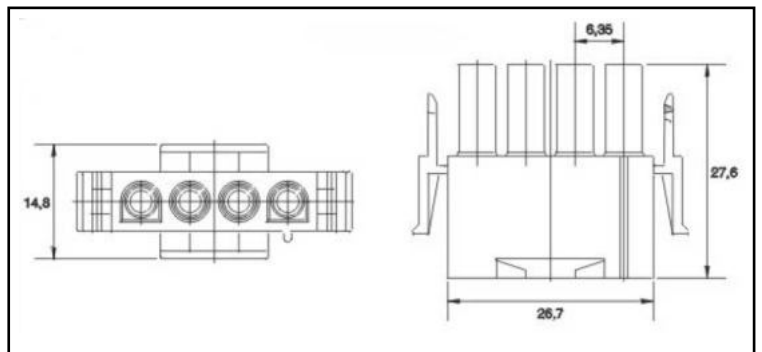
File No. E172855, E222213

Part No	Standard	Description	Material	Max Operating Temp °C	Applicable JST Terminal	Applicable Mating Housing
CS-LK04F		Four Circuit Housing	Nylon 66 (UL94-V2)	130	SLM-(*) (*)-2.1(*) (*)-F1	CS-LK04M
CS-LK04FV0			Nylon 68 (UL94-V0)	140		CS-LK04MV0

Note:

- 1) Colour coding: Blank=Natural, NR=Black. Example CS-LK04FNR = Black Housing.
- 2) Example applicable JST Terminal; SLM-0.8T-2.1-E-F1
- 3) Parts are available in different materials: Contact JST.
- 4) For availability, delivery and minimum order quantity details, contact JST.

06 Type (Straight) Housing <Made in Europe>

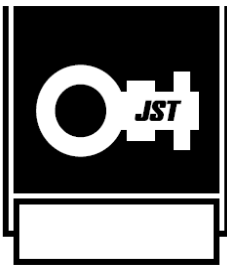


File No. E172855, E222213

Part No	Standard	Description	Material	Max Operating Temp °C	Applicable JST Terminal	Applicable Mating Housing
CS-LK04M		Four Circuit Housing	Nylon 66 (UL94-V2)	130	SLF-(*) (*)-2.1(*) (*)	CS-LK04F
CS-LK04MV0			Nylon 68 (UL94-V0)	140		CS-LK04FV0

Note:

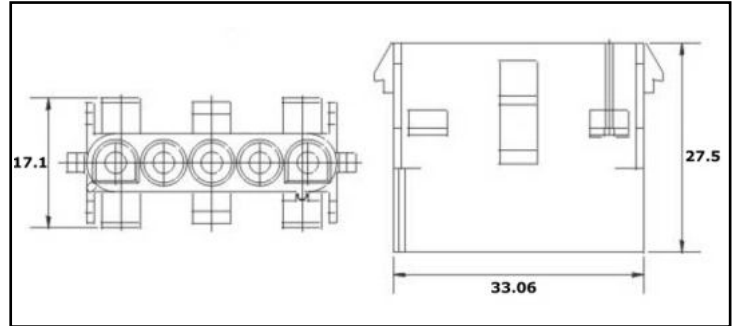
- 1) Colour coding: Blank=Natural, NR=Black. Example CS-LK04MNR = Black Housing.
- 2) Example applicable JST Terminal; SLF-0.8T-2.1-E
- 3) Parts are available in different materials: Contact JST.
- 4) For availability, delivery and minimum order quantity details, contact JST.



LOK SERIES

Insulation housings for terminals

07 Type (Straight) Housing <Made in Europe>



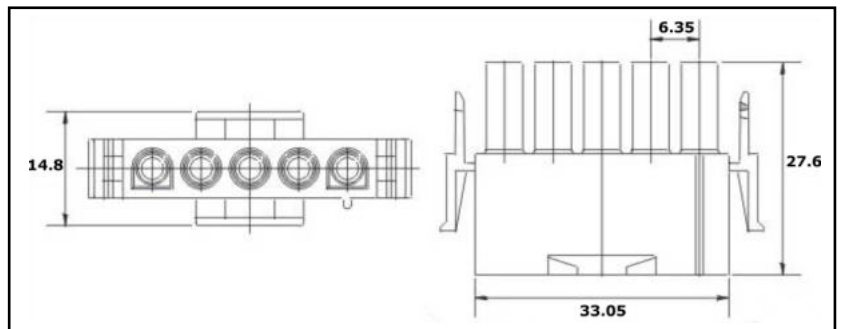
JST File No. E172855, E222213

Part No	Standard	Description	Material	Max Operating Temp °C	Applicable JST Terminal	Applicable Mating Housing
CS-LK05F	JST	Five Circuit Housing	Nylon 66 (UL94-V2)	130	SLM-(*) (*)-2.1(*) (*)-F1	CS-LK05M
CS-LK05FV0			Nylon 68 (UL94-V0)	140		CS-LK05MV0

Note:

- 1) Example applicable JST Terminal: SLM-0.8T-2.1-E-F1
- 2) Parts are available in different materials: Contact JST.
- 3) For availability, delivery and minimum order quantity details, contact JST.

08 Type (Straight) Housing <Made in Europe>

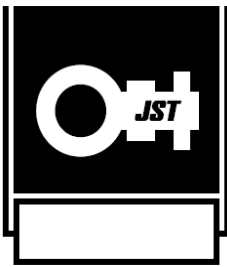


JST File No. E172855, E222213

Part No	Standard	Description	Material	Max Operating Temp °C	Applicable JST Terminal	Applicable Mating Housing
CS-LK05M	JST	Five Circuit Housing	Nylon 66 (UL94-V2)	130	SLF-(*) (*)-2.1(*) (*)	CS-LK05F
CS-LK05MV0			Nylon 68 (UL94-V0)	140		CS-LK05FV0

Note:

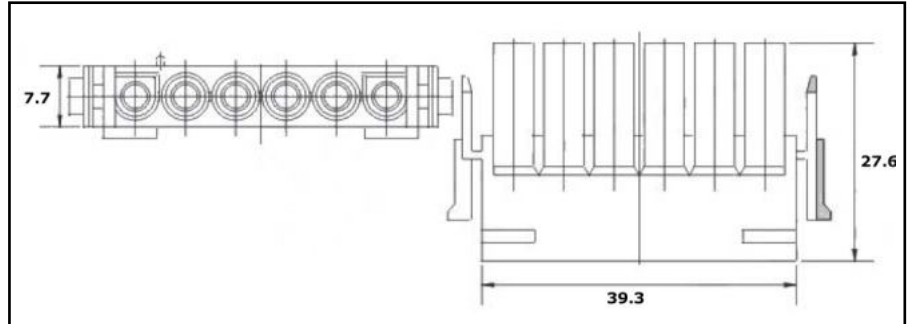
- 1) Example applicable JST Terminal: SLF-0.8T-2.1-E
- 2) Parts are available in different materials: Contact JST.
- 3) For availability, delivery and minimum order quantity details, contact JST.



LOK SERIES

Insulation housings for terminals

10 Type (Straight) Housing <Made in Europe>



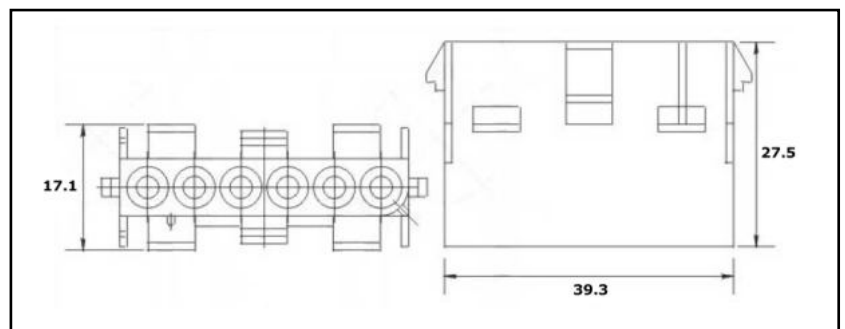
File No. E172855, E222213

Part No	Standard	Description	Material	Max Operating Temp °C	Applicable JST Terminal	Applicable Mating Housing
CS-174		Six Circuit Housing	Nylon 66 (UL94-V2)	130	SLF-2.1(*)-2.1(*)-(*)	CS-175
CS-174V0			Nylon 68 (UL94-V0)	140		CS-175V0

Note:

- 1) Example applicable JST Terminal; SLF-2.1T-2.1-E
- 2) Parts are available in different materials: Contact JST.
- 3) For availability, delivery and minimum order quantity details, contact JST.

09 Type (Straight) Housing <Made in Europe>

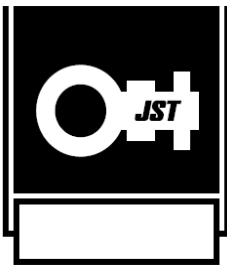


File No. E172855, E222213

Part No	Standard	Description	Material	Max Operating Temp °C	Applicable JST Terminal	Applicable Mating Housing
CS-175		Six Circuit Housing	Nylon 66 (UL94-V2)	130	SLM-2.1(*)-2.1(*)-(*)-F1	CS-174
CS-175V0			Nylon 68 (UL94-V0)	140		CS-174V0

Note:

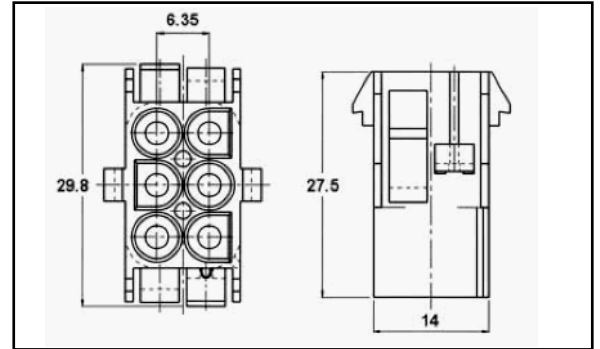
- 1) Example applicable JST Terminal; SLM-2.1T-2.1-E-F1
- 2) Parts are available in different materials: Contact JST.
- 3) For availability, delivery and minimum order quantity details, contact JST.



LOK SERIES

Insulation housings for terminals

11 Type (Straight) Housing <Made in Europe>



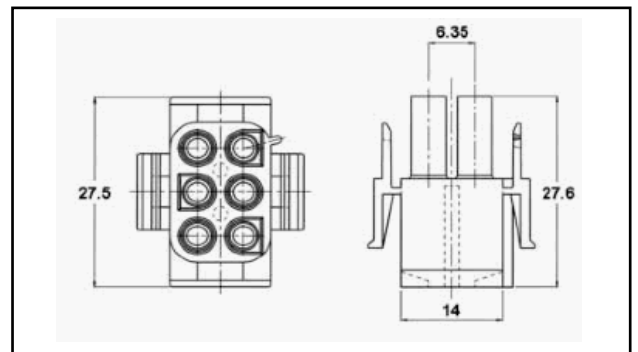
File No. E172855, E222213

Part No	Standard	Description	Material	Max Operating Temp °C	Applicable JST Terminal	Applicable Mating Housing
CS-LK06F		Six Circuit Housing	Nylon 66 (UL94-V2)	130	SLM-2.1(*)-2.1(*)-(*)-F1	CS-LK06M
CS-LK06FV0			Nylon 68 (UL94-V0)	140		CS-LK06MV0

Note:

- 1) Colour Coding: Blank=Natural, NR=Black. Example CS-LK06FNR = Black Housing.
- 2) Example applicable JST Terminal; SLM-2.1T-2.1-E-F1
- 3) Parts are available in different materials: Contact JST.
- 4) For availability, delivery and minimum order quantity details, contact JST.

12 Type (Straight) Housing <Made in Europe>

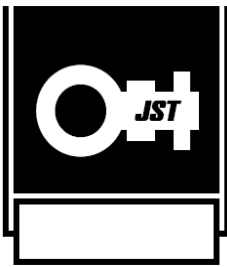


File No. E172855, E222213

Part No	Standard	Description	Material	Max Operating Temp °C	Applicable JST Terminal	Applicable Mating Housing
CS-LK06M		Six Circuit Housing	Nylon 66 (UL94-V2)	130	SLF-2.1(*)-2.1(*)-(*)	CS-LK06F
CS-LK06MV0			Nylon 68 (UL94-V0)	140		CS-LK06FV0

Note:

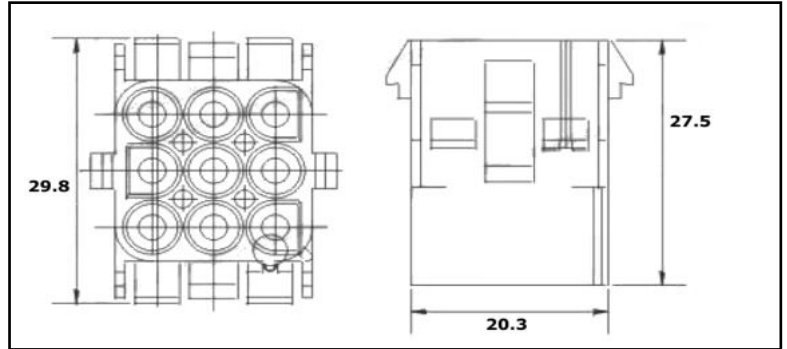
- 1) Colour Coding: Blank=Natural, NR=Black. Example CS-LK06MNR = Black Housing.
- 2) Example applicable JST Terminal; SLF-2.1T-2.1-E
- 3) Parts are available in different materials: Contact JST.
- 4) For availability, delivery and minimum order quantity details, contact JST.



LOK SERIES

Insulation housings for terminals

13 Type (Straight) Housing <Made in Europe>



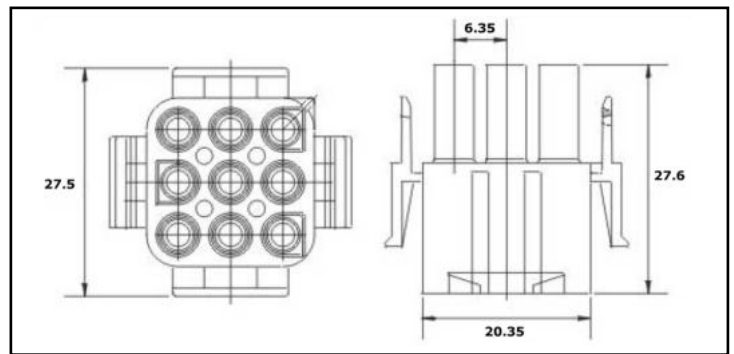
File No. E172855, E222213

Part No	Standard	Description	Material	Max Operating Temp °C	Applicable JST Terminal	Applicable Mating Housing
CS-LK09F		Nine Circuit Housing	Nylon 66 (UL94-V2)	130	SLM-2.1(*)-2.1(*)-(*)-F1	CS-LK09M
CS-LK09FV0			Nylon 68 (UL94-V0)	140		CS-LK09MV0

Note:

- 1) Example applicable JST Terminal; SLM-2.1T-2.1-E-F1
- 2) Parts are available in different materials: Contact JST.
- 3) For availability, delivery and minimum order quantity details, contact JST.

14 Type (Straight) Housing <Made in Europe>

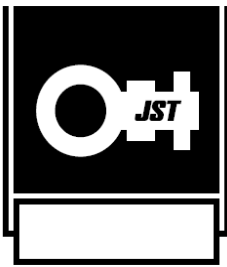


File No. E172855, E222213

Part No	Standard	Description	Material	Max Operating Temp °C	Applicable JST Terminal	Applicable Mating Housing
CS-LK09M		Nine Circuit Housing	Nylon 66 (UL94-V2)	130	SLF-2.1(*)-2.1(*)-(*)	CS-LK09F
CS-LK09MV0			Nylon 68 (UL94-V0)	140		CS-LK09FV0

Note:

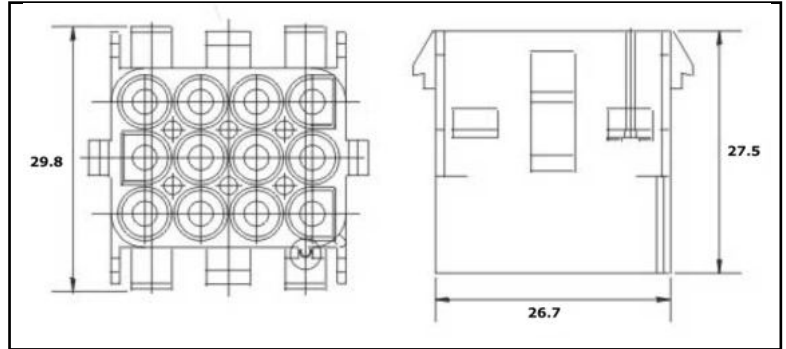
- 1) Example applicable JST Terminal; SLF-2.1T-2.1-E
- 2) Parts are available in different materials: Contact JST.
- 3) For availability, delivery and minimum order quantity details, contact JST.



LOK SERIES

Insulation housings for terminals

15 Type (Straight) Housing <Made in Europe>



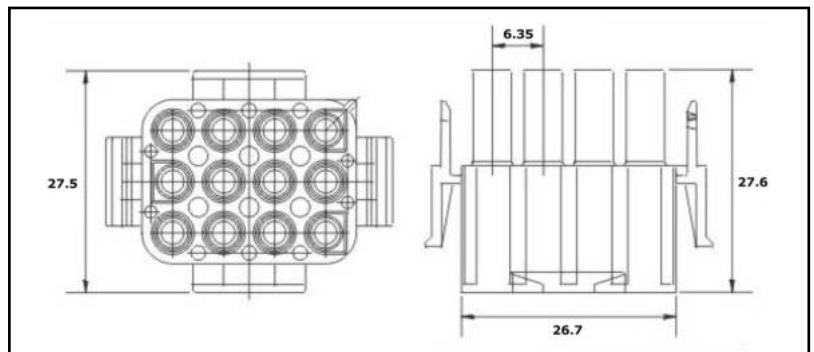
File No. E172855, E222213

Part No	Standard	Description	Material	Max Operating Temp °C	Applicable JST Terminal	Applicable Mating Housing
CS-LK12F		Twelve Circuit Housing	Nylon 66 (UL94-V2)	130	SLM-2.1(*)-2.1(*)-(*)-F1	CS-LK12M
CS-LK12FV0			Nylon 68 (UL94-V0)	140		CS-LK12MV0

Note:

- 1) Colour coding: Blank=Natural, NR=Black. Example CS-LK12FNR = Black Housing.
- 2) Example applicable JST Terminal; SLM-2.1T-2.1-E-F1
- 3) Parts are available in different materials: Contact JST.
- 4) For availability, delivery and minimum order quantity details, contact JST.

16 Type (Straight) Housing <Made in Europe>

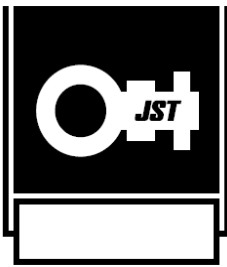


File No. E172855, E222213

Part No	Standard	Description	Material	Max Operating Temp °C	Applicable JST Terminal	Applicable Mating Housing
CS-LK12M		Twelve Circuit Housing	Nylon 66 (UL94-V2)	130	SLF-2.1(*)-2.1(*)-(*)	CS-LK12F
CS-LK12MV0			Nylon 68 (UL94-V0)	140		CS-LK12FV0

Note:

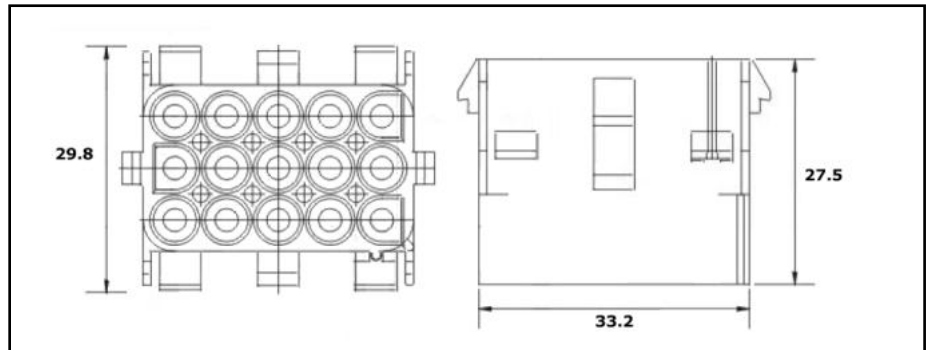
- 1) Colour coding: Blank=Natural, NR=Black. Example CS-LK12MNR = Black Housing.
- 2) Example applicable JST Terminal; SLF-2.1T-2.1-E
- 3) Parts are available in different materials: Contact JST.
- 4) For availability, delivery and minimum order quantity details, contact JST.



LOK SERIES

Insulation housings for terminals

17 Type (Straight) Housing <Made in Europe>



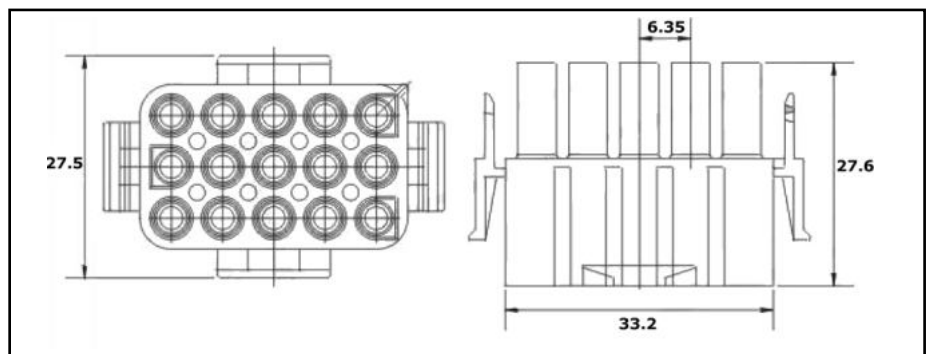
File No. E172855, E222213

Part No	Standard	Description	Material	Max Operating Temp °C	Applicable JST Terminal	Applicable Mating Housing
CS-LK15F		Fifteen Circuit Housing	Nylon 66 (UL94-V2)	130	SLM-2.1(*)-2.1(*)-(*)-F1	CS-LK15M
CS-LK15FV0			Nylon 68 (UL94-V0)	140		CS-LK15MV0

Note:

- 1) Colour coding: Blank=Natural, NR=Black. Example CS-LK15FNR = Black Housing.
- 2) Example applicable JST Terminal; SLM-2.1T-2.1-E-F1
- 3) Parts are available in different materials: Contact JST.
- 4) For availability, delivery and minimum order quantity details, contact JST.

18 Type (Straight) Housing <Made in Europe>



File No. E172855, E222213

Part No	Standard	Description	Material	Max Operating Temp °C	Applicable JST Terminal	Applicable Mating Housing
CS-LK15M		Fifteen Circuit Housing	Nylon 66 (UL94-V2)	130	SLF-2.1(*)-2.1(*)-(*)	CS-LK15F
CS-LK15MV0			Nylon 68 (UL94-V0)	140		CS-LK15FV0

Note:

- 1) Colour coding: Blank=Natural, NR=Black. Example CS-LK15MNR = Black Housing.
- 2) Example applicable JST Terminal; SLF-2.1T-2.1-E
- 3) Parts are available in different materials: Contact JST.
- 4) For availability, delivery and minimum order quantity details, contact JST.