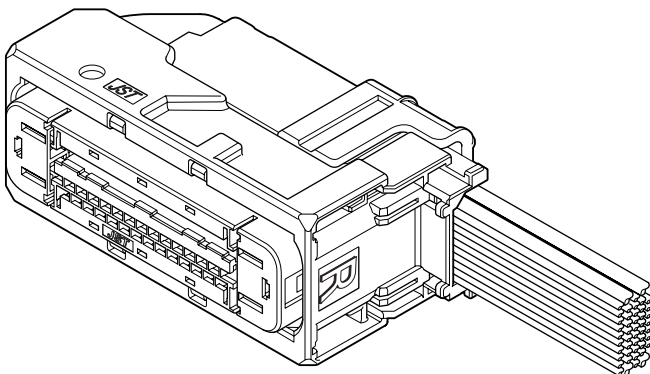




47 Circuits 0.64/6.3 Hybrid Sealed Connector compliant with the USCAR footprints and performance standard. Designed for ABS application.

### Features

- 47 circuits: 0.64/6.3 Hybrid Sealed Connector
- Compliant with the Standard USCAR Footprints
- Ergonomic, dual action lever mechanism design for low Mating Force
- Alternative Cable routing design
- Flash-Over options are available for blocking unused circuits
- Cable protector (optional) for additional cable protection

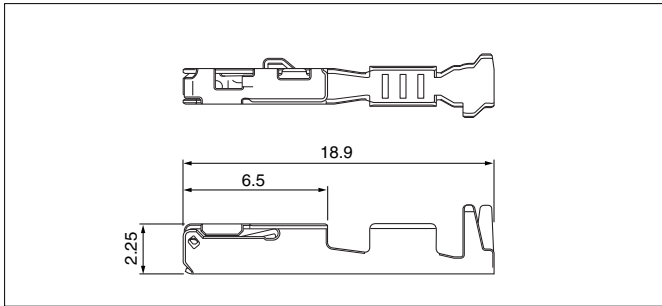


### Specifications

- Current rating: 0.64 Terminal/ 5A DC max.  
6.3 Terminal/ 40A DC max.
- Voltage rating: 14V DC
- Temperature range: -40°C to +125°C  
(including temperature rise in applying electrical current)
- Contact resistance:
  - 0.64 Terminal; Initial value/20mΩ max.  
After environmental testing/20mΩ max.
  - 6.3 Terminal; Initial value/1.5mΩ max.  
After environmental testing/1.5mΩ max.
- Insulation resistance: 20MΩ min.
- Applicable wire:
  - 0.64 Terminal; SAE/ AVSS/ CAVS 0.3mm<sup>2</sup> to 0.8mm<sup>2</sup>
  - 6.3 Terminal; 2.5mm<sup>2</sup> (AWG#12)

- \* Compliant with ELV/RoHS.
- \* Contact JST for details.

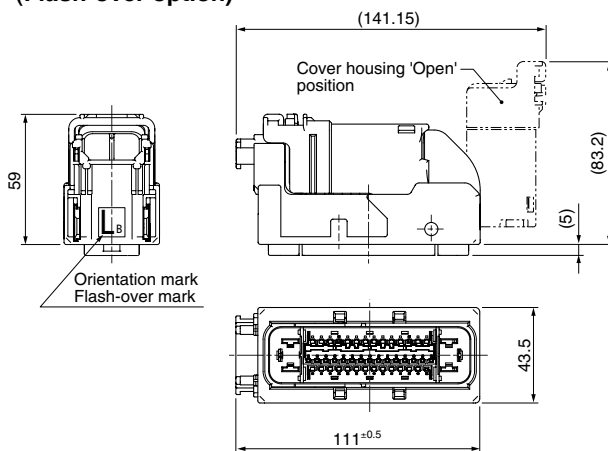
## Female terminal



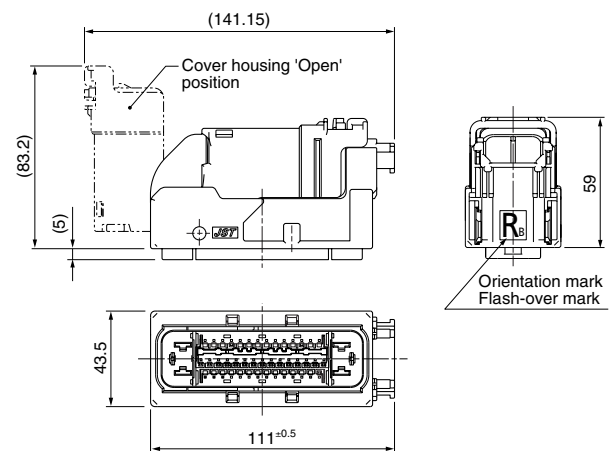
Model No.	Applicable wire range		Q'ty/reel
	Conductor (mm <sup>2</sup> )	Insulation O.D. (mm)	
①SAITS-A03T-M064	0.3 to 0.5	≤1.9	3,500
①SAITS-A02T-M064	0.75 to 0.8	≤1.9	3,500
②GT630 or equivalent Terminal (Customer specified terminal.)			
Material and Finish			
①Copper alloy, tin-plated (reflow treatment)			
②Copper alloy (refer to Delphi for detail)			

## Female connector

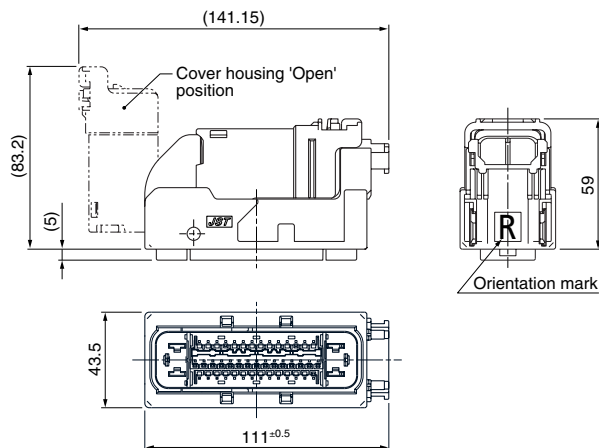
### ● ASGPB-1547L2A-K/ASGPB-2547L2A-K (Flash-over option)



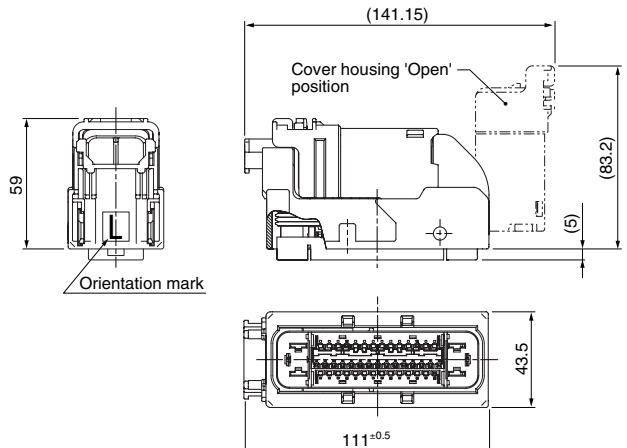
### ● ASGPB-1547R2A-K (Flash-over option)



### ● ASGPB-47R1A-K



### ● ASGPB-47L1A-K



Circuits		Model No.	Q'ty/box
6.3	0.64		
3	22	ASGPB-2547L2A-K	70
4	11	ASGPB-1547R2A-K	70
		ASGPB-1547L2A-K	70
	43	ASGPB-47R1A-K	70
		ASGPB-47L1A-K	70

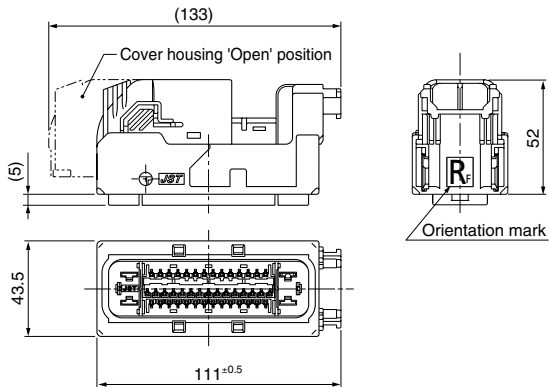
### Material

Housing: Glass-filled PBT, black  
 Lever: Glass-filled PBT, black  
 Slide: Glass-filled PA, black  
 Ring seal: Silicone, green  
 TPA: Glass-filled PBT, natural (white)

# ASG CONNECTOR

## Female connector

### ● ASGPB-F1947R-3AK

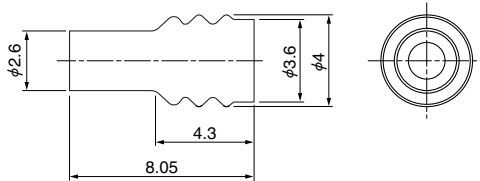


Circuits		Model No.	Q'ty/box
6.3	0.64		
3	16	<b>ASGPB-F1947R-3AK</b>	70

#### Material

Housing: Glass-filled PBT, black  
 Slide: Glass-filled PA, black  
 Matte seal: Silicone, rust red  
 Back cover: Glass-filled PBT, black  
 Ring seal: Silicone, green  
 TPA: Glass-filled PBT, natural (white)

## Wire seal

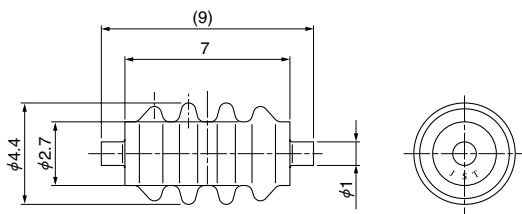


Model No.	Applicable wire range		Q'ty/box	Color
	Conductor (mm <sup>2</sup> )	Insulation O.D. (mm)		
<b>A03CS-AIT-M</b>	0.3 to 0.5	1.6 to 1.9	50,000	Green
<b>A04CS-AIT-N</b>	0.75 to 0.8	1.2 to 1.6	50,000	Brown

#### Material

Silicone

## Plug

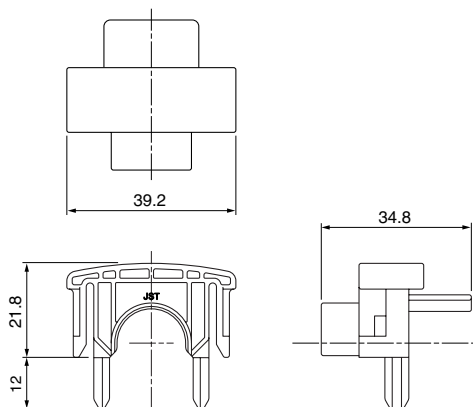


Model No.	Q'ty/box
<b>064PLG-AIT-R</b>	10,000

#### Material

Silicone, red

## Cable protector



Model No.	Q'ty/box
<b>ASGC-1547-2A-K</b>	500

#### Material

PBT, black

## Crimping machine, Applicator

Strip terminal	Crimping machine	Crimp applicator MKS-L	
		Dies	Crimp applicator with dies
<b>SAITS-A03T-M064</b>	AP-K2N	MK/SAITS-A03-064	APLMK SAITS-A03-064
<b>SAITS-A02T-M064</b>		MK/SAITS-A02-064	APLMK SAITS-A02-064

Note: When crimping operation is conducted using an applicator and die set other than the above, JST cannot guarantee the performance of the terminal.