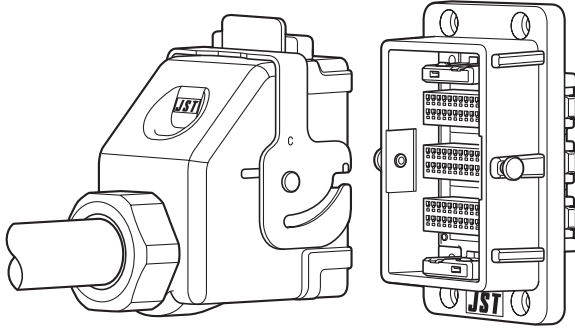




JFA CONNECTOR METAL SHELL SERIES

Disconnectable Crimp style (Wire-to-wire connectors)



Metal shell type I/O connector which contacts are used also with JFA connector J2000 series and J300 series. 2, 3 or 4 modules for contacts are available.

- ***Applicable contact and tooling can be unified***
- ***Rigid metal shell***
- ***Waterproof performance***
- ***Misinsertion prevention***

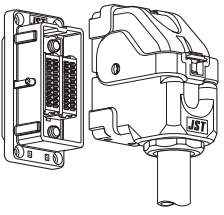
*Contact JST for details.

*Compliant with RoHS.

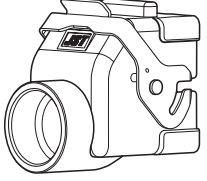
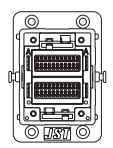
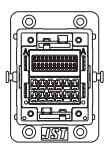
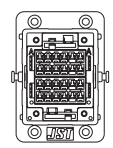
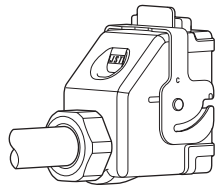
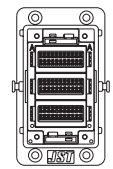
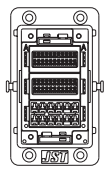
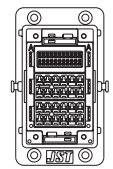
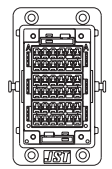
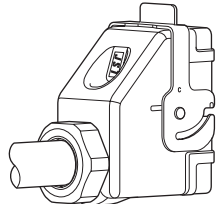
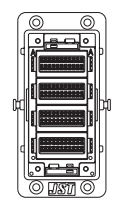
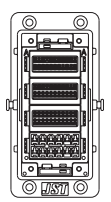
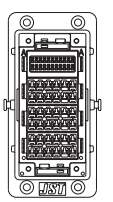
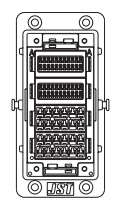
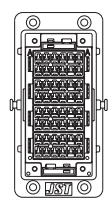
JFA CONNECTOR/METAL SHELL SERIES

List of metal shell

J2900

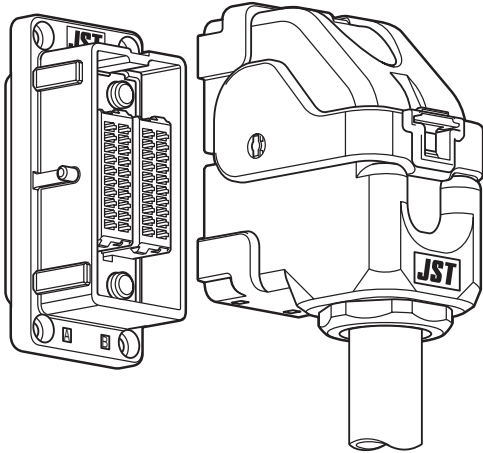
| | |
|------------------|---|
| Connector series | J2000 series |
| | 40 circuits |
| J2900 |  |
| Circuits | 20 x 2 pcs. |

JFA-M

| Type | Shell | Hybrid type | | | |
|----------|---|---|--|---|---|
| 2 Module |  | J2000(22P) x 2 | J2000(22P) x 1 + J300(12P) x 1 | J300(12P) x 2 | |
| | |  |  |  | |
| Circuits | | 44 | 34 | 24 | |
| 3 Module |  | J2000(22P) x 3 | J2000(22P) x 2 + J300(12P) x 1 | J2000(22P) x 1 + J300(12P) x 2 | J300(12P) x 3 |
| | |  |  |  |  |
| Circuits | | 66 | 56 | 46 | 36 |
| 4 Module |  | J2000(22P) x 4 | J2000(22P) x 3 + J300(12P) x 1 | J2000(22P) x 2 + J300(12P) x 2 | J300(12P) x 4 |
| | |  |   |  |  |
| Circuits | | 88 | 78, 58 | 68 | 48 |



JFA CONNECTOR J2900 SERIES



This connector is a metal shell type I/O connector and it's completely waterproof. Contacts are designed to be common use with JFA connector J2000 series.



- ***Rigid metal shell***
- ***Easy mating operation***

Specifications

- Current rating: 3 A max. AC, DC
- Voltage rating: 250 V AC, DC
- Temperature range: -55°C to +105°C
(including temperature rise in applying electrical current)
- Withstanding voltage: 1,500 VAC/minute
- Applicable wire: AWG #28 to #20 (0.08 to 0.75 mm²)
- Cable O.D.: 11.1 to 13.5 mm

*Contact JST for details.

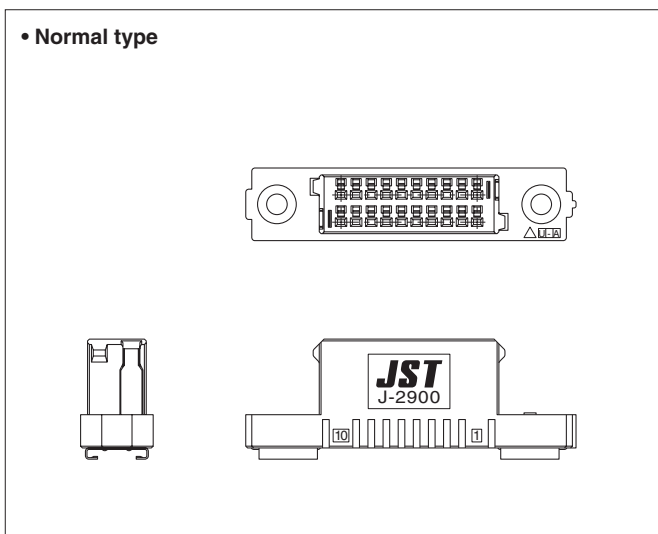
Standards

-  Recognized E60389
-  Certified LR 20812

METAL SHELL SERIES/J2900

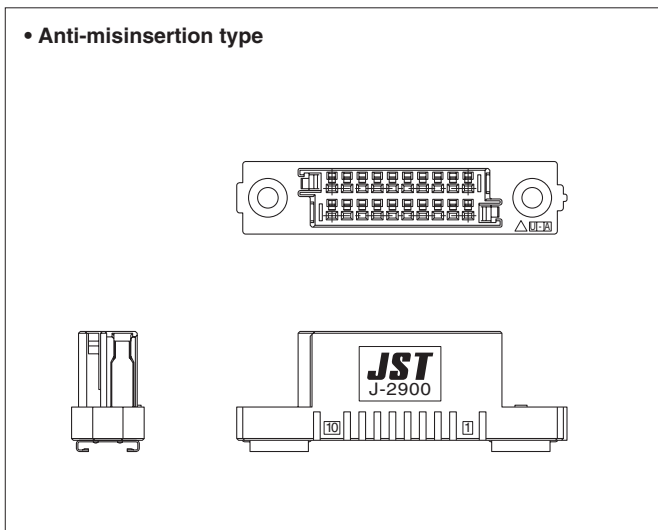
Receptacle housing assembly

• Normal type



| Circuits | Model No. | Q'ty / bag |
|----------|-------------------|------------|
| 20 | J29FA-20-K | 70 |

• Anti-misinsertion type

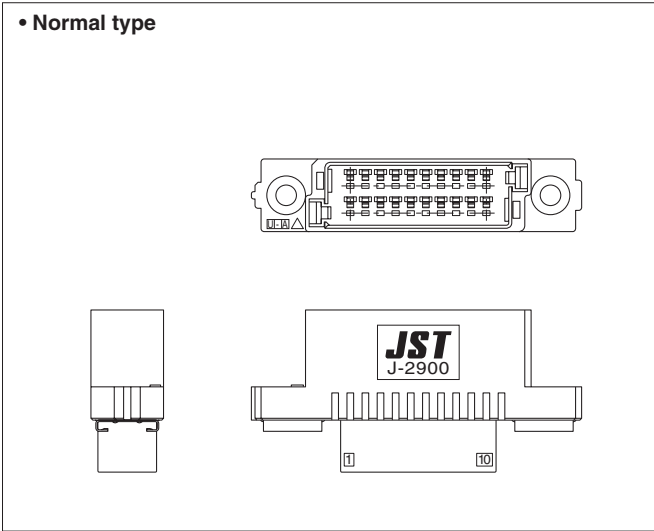


| Circuits | Model No. | Q'ty / bag |
|----------|---------------------|------------|
| 20 | J29FA-20-H-1 | 70 |

METAL SHELL SERIES/J2900

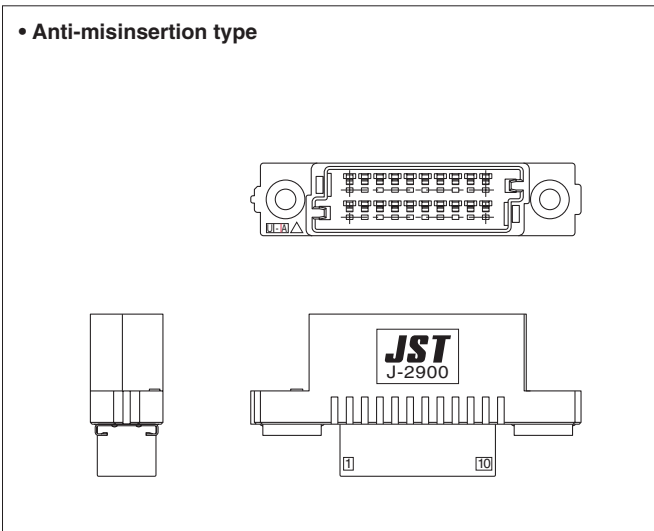
Tab housing assembly

• Normal type



| Circuits | Model No. | Q'ty / bag |
|----------|------------|------------|
| 20 | J29MA-20-K | 70 |

• Anti-misinsertion type



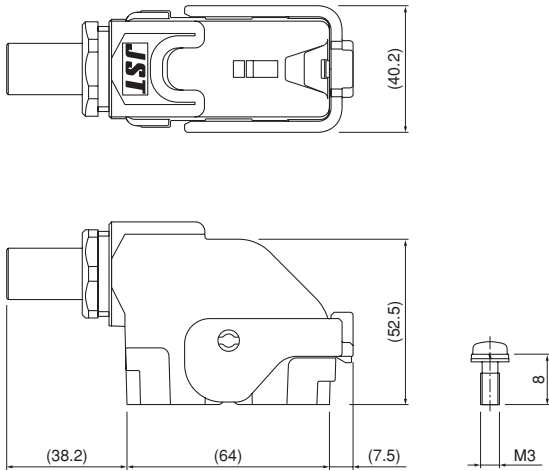
| Circuits | Model No. | Q'ty / bag |
|----------|--------------|------------|
| 20 | J29MA-20-H-1 | 70 |

METAL SHELL SERIES/J2900

Wire side

Shell kit

• Normal type



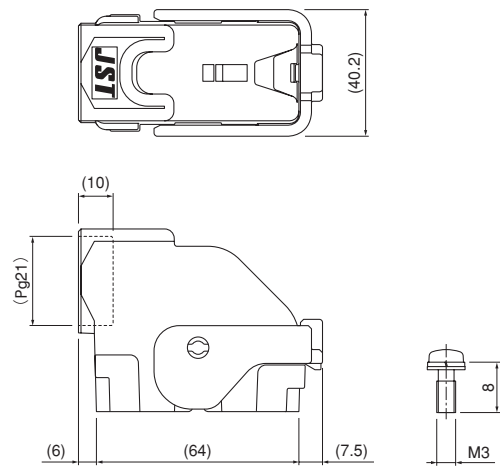
Model No.

Q'ty / bag

J29WK-K-1

30

• For Pg21



Pg21 screw mounting product (for flexible tubing, etc.)

Model No.

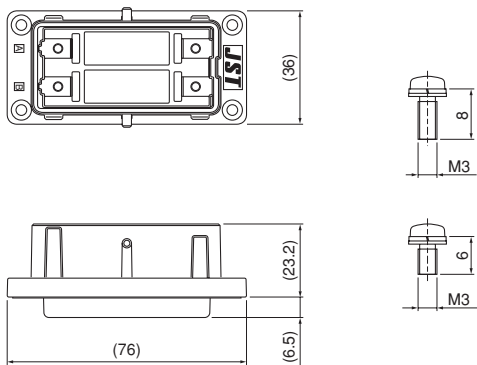
Q'ty / bag

J29WK-K-A

35

Panel side

Shell kit



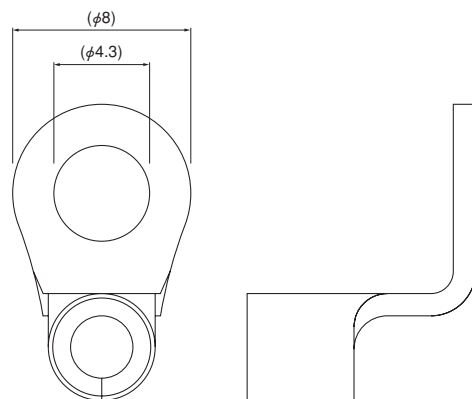
Model No.

Q'ty / bag

J29PK-K

35

• Ground terminal



Model No.

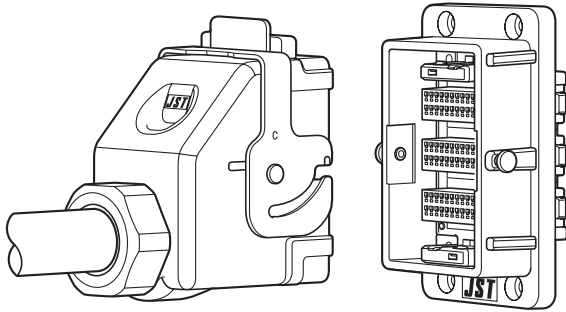
Q'ty / bag

L3.5-R4

1,000



JFA CONNECTOR JFA-M SERIES



Metal shell type I/O connector which contacts are designed to be common use with JFA connector J2000 series and J300 series.

- Rigid metal shell
- Lever (3 and 4 module type) provides easy mating and unmating connector
- Combination of modular housing

Specifications

- Current rating: Refer to the following matrix table.
- Voltage rating: 250 V AC, DC (J2000 series)
600 V AC, DC (J300 series)
- Temperature range: -55°C to +105°C
(including temperature rise in applying electrical current)
- Withstanding voltage: 1,500 VAC/minute (J2000 series)
2,200 VAC/minute (J300 series)

*Contact JST for details.

Current rating

Unit: A

| | J2000 Series | J300 Series |
|----------|--------------|-------------|
| | Wire size | |
| | AWG#20 | AWG#16 |
| 2 Module | 3(44P) | 5(24P) |
| 3 Module | 3(66P) | 5(36P) |
| 4 Module | 2.5(88P) | 5(48P) |

Standards

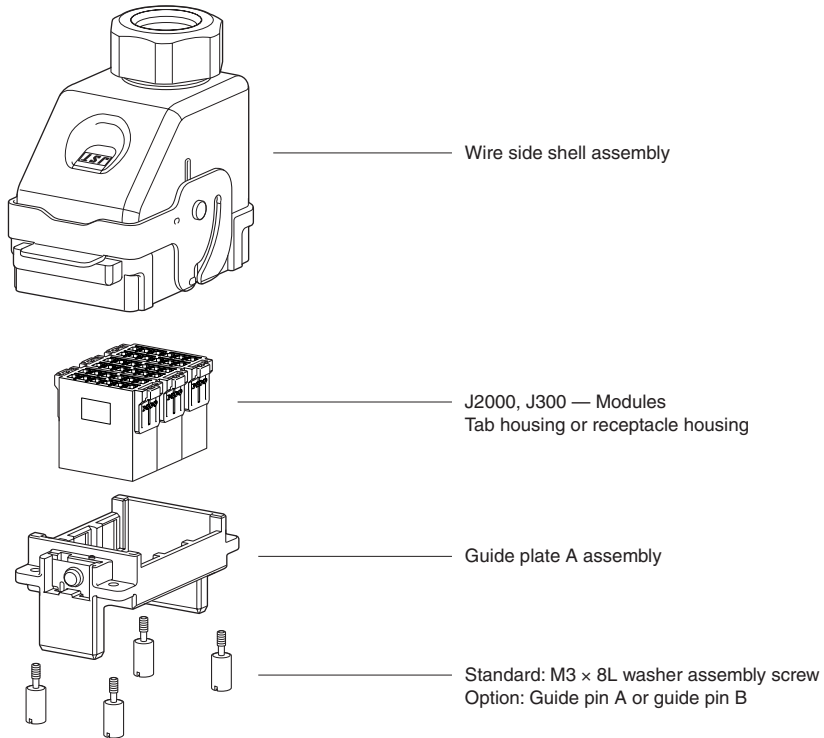
Recognized E60389

METAL SHELL SERIES/JFA-M

Components

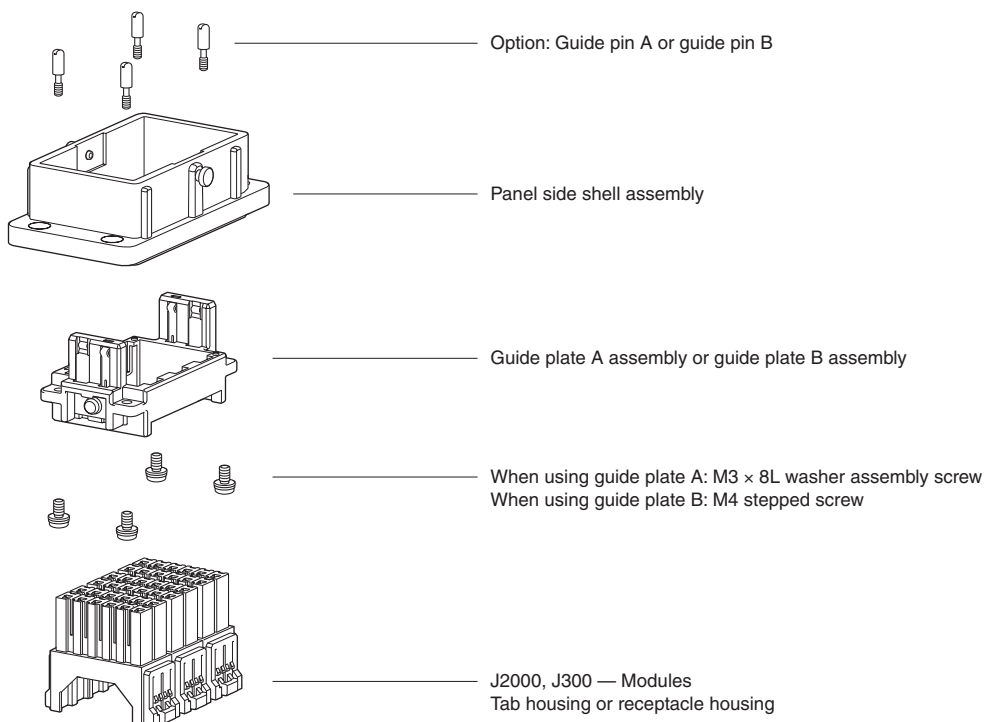
Wire side

Shell assembly



Panel side

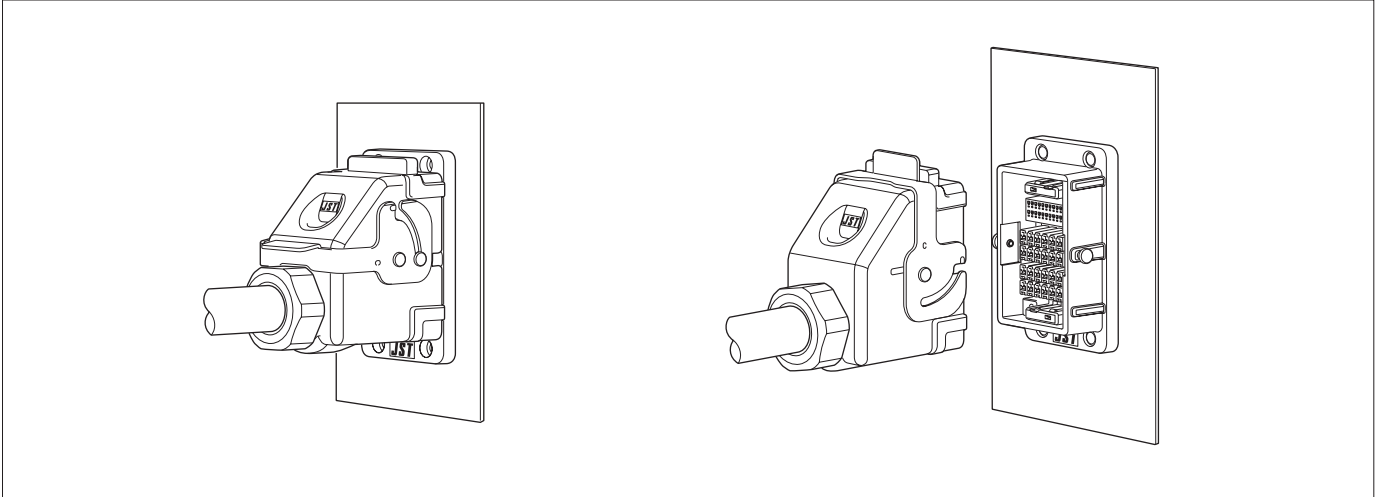
Shell assembly



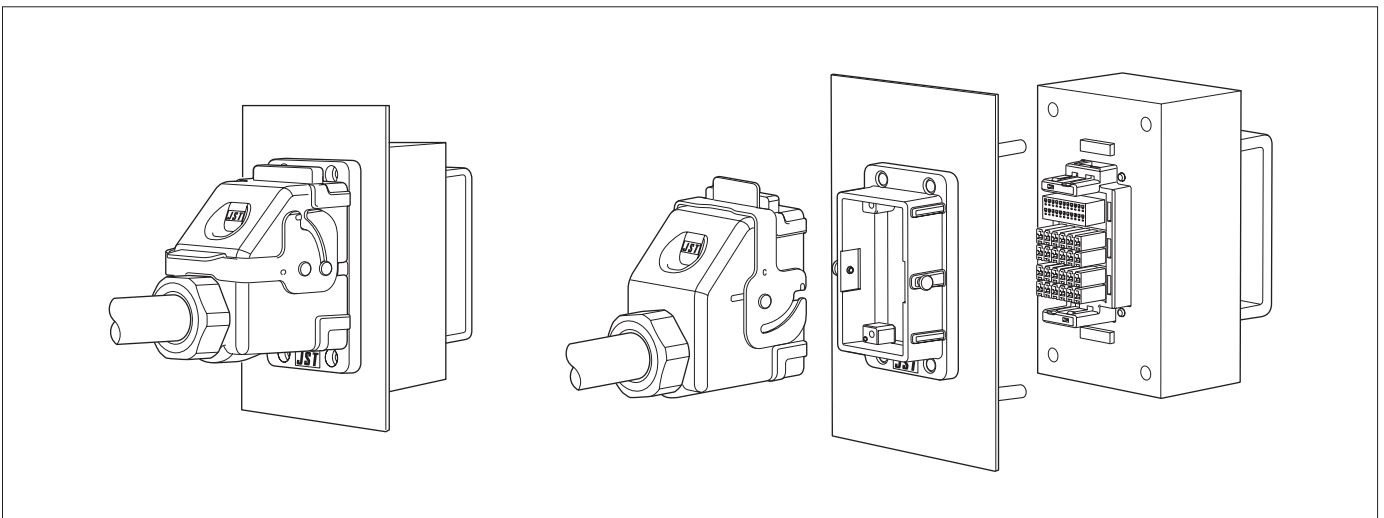
METAL SHELL SERIES/JFA-M

Examples of use

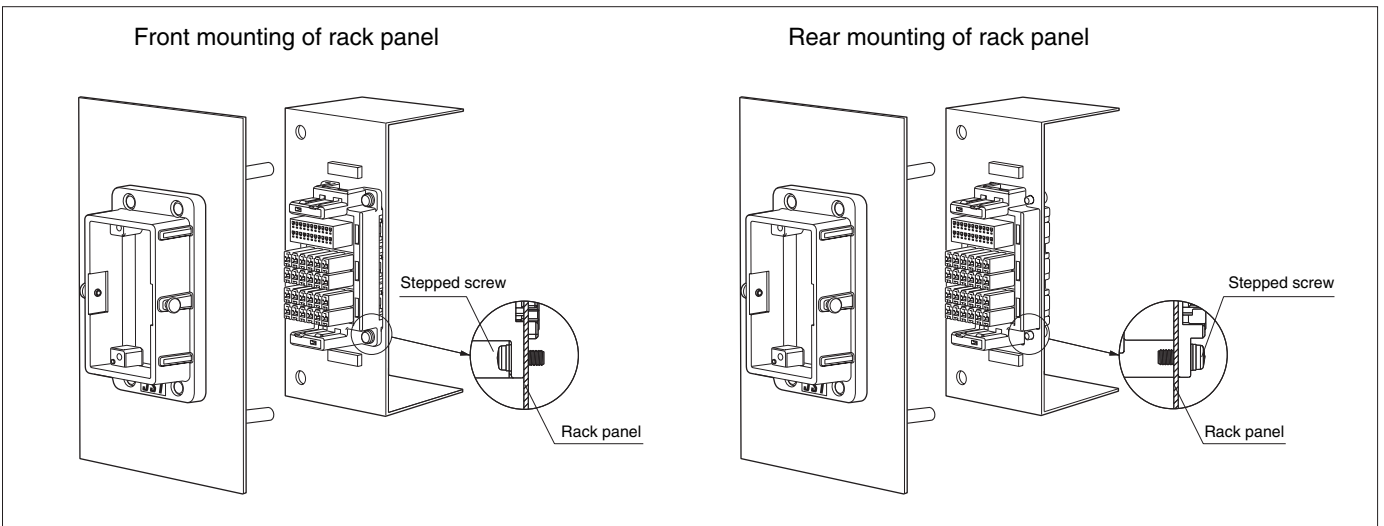
Waterproof I/O connector



Drawer type

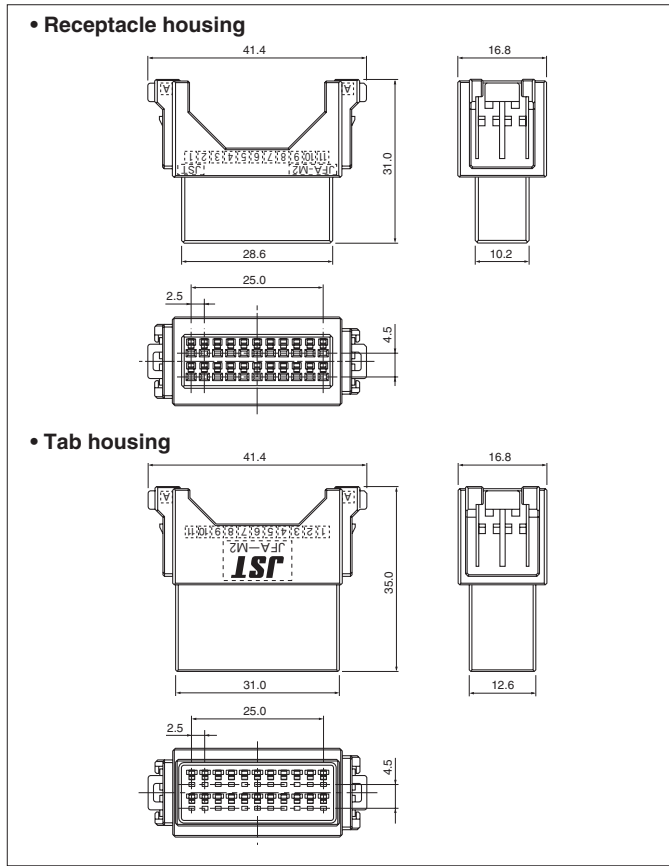


Drawer type (Rack mounting method)



METAL SHELL SERIES/JFA-M

J2000 series housing (Used for both panel mounting and drawer type)

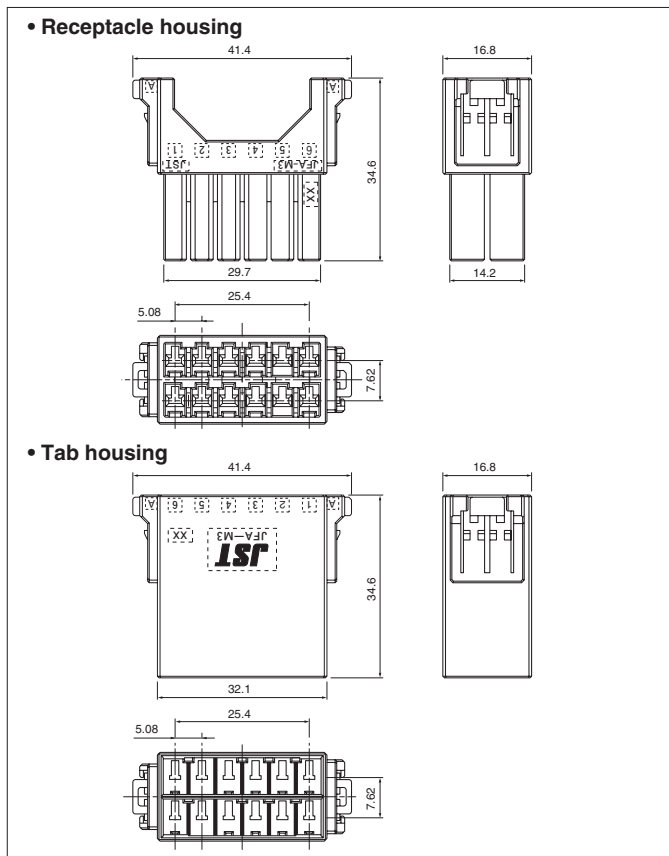


| | Model No. | Q'ty / bag |
|--------------------|----------------------|------------|
| Receptacle housing | JFM2FDN-22V-K | 50 |
| Tab housing | JFM2MDN-22V-K | 50 |

RoHS compliance

Note: Refer to page 438 about J2000 series contact.

J300 series housing (Used for both panel mounting and drawer type)



| | Model No. | Q'ty / bag |
|--------------------|----------------------|------------|
| Receptacle housing | JFM3FMN-12V-K | 50 |
| Tab housing | JFM3MMN-12V-K | 50 |

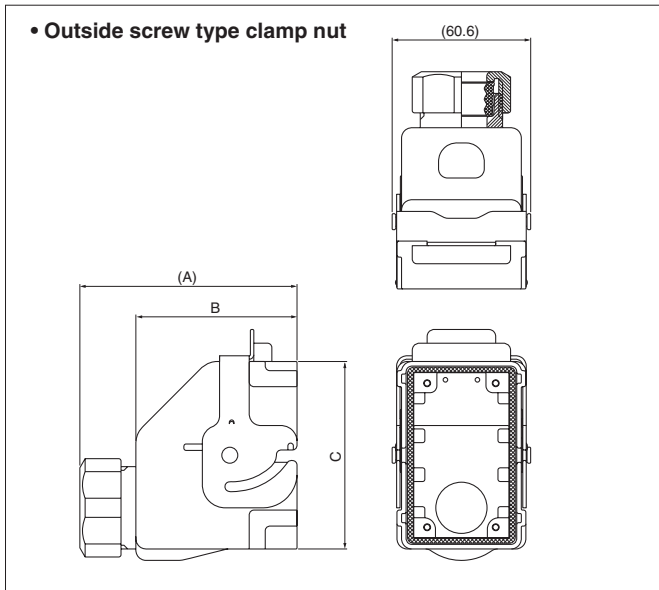
RoHS compliance

Note: Refer to page 4 about J300 series contact.

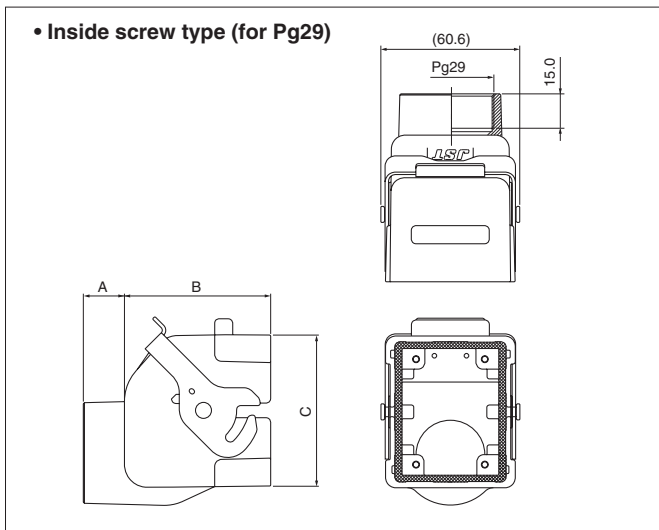
METAL SHELL SERIES/JFA-M

Wire side

Shell assembly



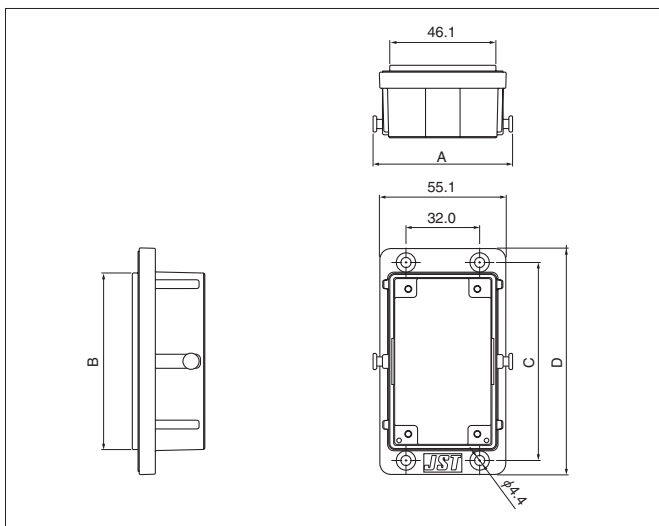
| No. of combining housing | Model No. | Dimensions (mm) | | | Q'ty / bag |
|--------------------------|--------------------|-----------------|------|------|------------|
| | | A | B | C | |
| 3 module | JFM-WSA-3-B | (95.0) | 70.5 | 82.0 | 1 |
| 4 module | JFM-WSA-4-A | (103.5) | 79.0 | 99.0 | 1 |



| No. of combining housing | Model No. | Dimensions (mm) | | | Q'ty / bag |
|--------------------------|--------------------|-----------------|------|------|------------|
| | | A | B | C | |
| 2 module | JFM-WSA-2-1 | 18.0 | 64.0 | 66.2 | 1 |

Panel side

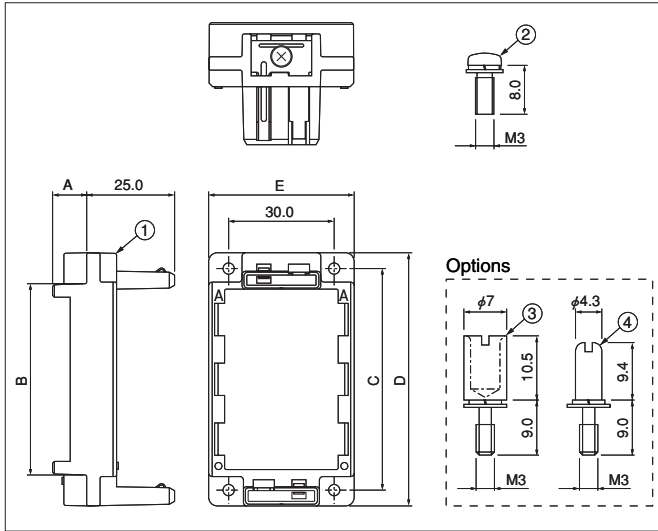
Shell assembly



| No. of combining housing | Model No. | Dimensions (mm) | | | | Q'ty |
|--------------------------|------------------|-----------------|------|-------|-------|----------|
| | | A | B | C | D | |
| 2 module | JFM-PSA-2 | (60.5) | 59.7 | 69.0 | 81.5 | 1 (bag) |
| 3 module | JFM-PSA-3 | (60.6) | 76.7 | 86.0 | 98.5 | 12 (box) |
| 4 module | JFM-PSA-4 | (60.6) | 93.7 | 103.0 | 115.5 | 10 (box) |

METAL SHELL SERIES/JFA-M

Guide plate A (With the combination of wire side and panel side shell assembly)



| No. of combining housing | Model No. | Dimensions (mm) | | | | | Q'ty |
|--------------------------|-------------------|-----------------|------|------|------|------|----------|
| | | A | B | C | D | E | |
| 2 module | JFM-GPAK-2 | 9.6 | 37.4 | 46.0 | 54.8 | 41.9 | 1 (bag) |
| 3 module | JFM-GPAK-3 | 9.7 | 54.4 | 63.0 | 72.0 | 41.4 | 24 (box) |
| 4 module | JFM-GPAK-4 | 9.7 | 71.4 | 80.0 | 89.0 | 41.4 | 16 (box) |

| No. | Parts name | Model No. | Q'ty |
|-----|-----------------------|-------------------|-------------|
| ① | Guide plate A | — | — |
| ② | Washer assembly screw | — | — |
| ③ | Guide pin A | JFM-PIA3-N | 1,000 (bag) |
| ④ | Guide pin B | JFM-PIB3-N | 1,000 (bag) |

Note: Guide pin A and guide pin B are option.

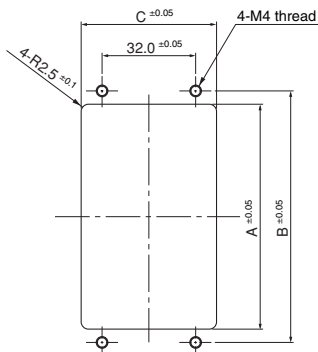
List of combinations of guide pin A and guide pin B (Shell mounting pattern at panel side)

| No. of guide pin | Pattern 1 | Pattern 2 | Pattern 3 | Pattern 4 | Pattern 5 | Pattern 6 |
|------------------------------------|-----------|-----------|-----------|-----------|-----------|-----------|
| Guide pin A : 0 Guide pin B : 4 | | | | | | |
| Guide pin A : 1 Guide pin B : 3 | | | | | | |
| Guide pin A : 2 Guide pin B : 2 | | | | | | |
| Guide pin A : 3 Guide pin B : 1 | | | | | | |
| Guide pin A : 4 Guide pin B : 0 | | | | | | |

Note: Shell mounting pattern at wire side becomes opposite to the above pattern.

Panel cut dimension

• Panel side shell mounting

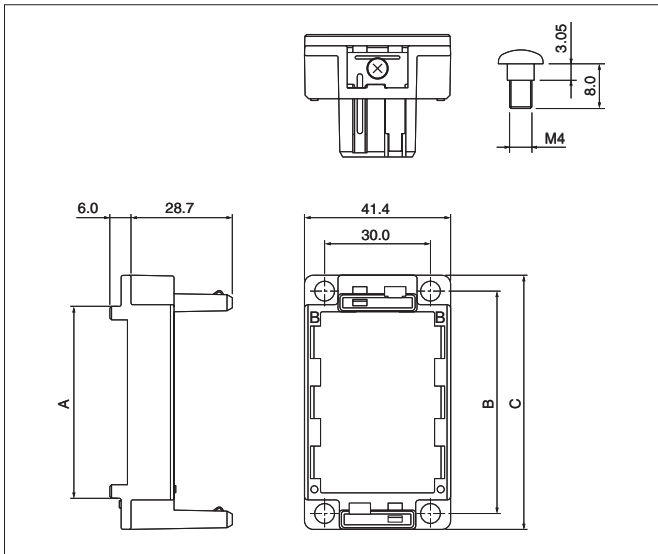


Note: When thread and prepared hole penetrate, use sealing material on the back side of panel.

| No. of combining housing | Dimensions (mm) | | |
|--------------------------|-----------------|-------|------|
| | A | B | C |
| 2 module | 60.0 | 69.0 | 46.4 |
| 3 module | 76.9 | 86.0 | 46.3 |
| 4 module | 93.9 | 103.0 | 46.3 |

METAL SHELL SERIES/JFA-M

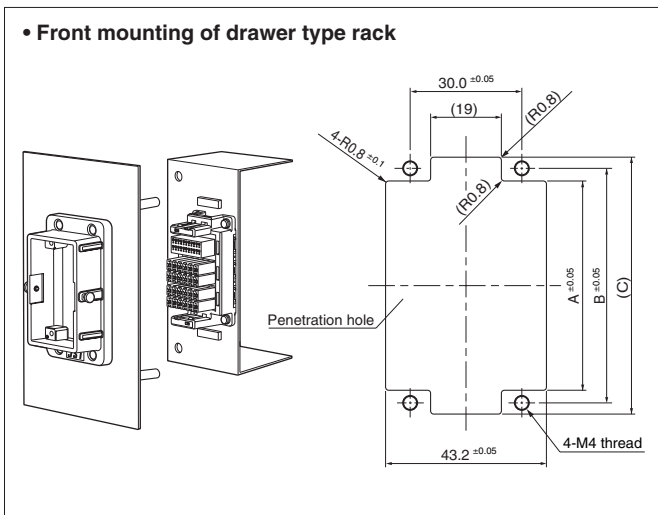
Guide plate B



| No. of combining housing | Model No. | Dimensions (mm) | | | Qty / bag |
|--------------------------|-------------------|-----------------|------|------|-----------|
| | | A | B | C | |
| 3 module | JFM-GPBK-3 | 54.4 | 63.0 | 72.0 | 24 |
| 4 module | JFM-GPBK-4 | 71.4 | 80.0 | 89.0 | 16 |

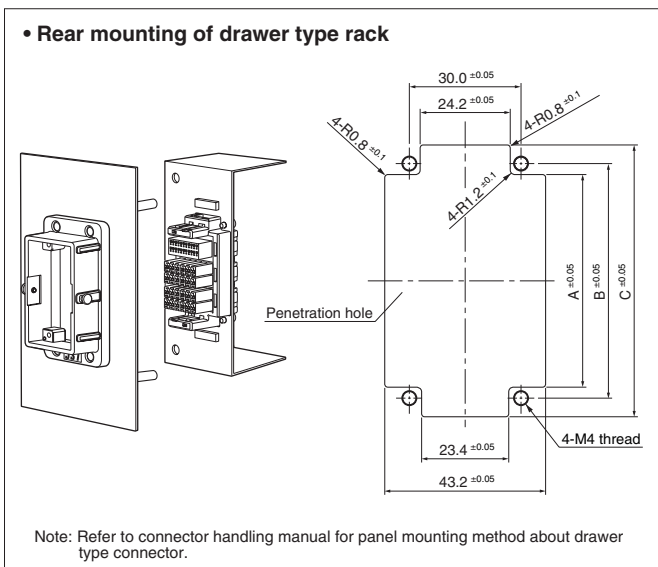
Panel cut dimension

• Front mounting of drawer type rack



| No. of combining housing | Dimensions (mm) | | |
|--------------------------|-----------------|------|------|
| | A | B | C |
| 3 module | 56.2 | 63.0 | 69.0 |
| 4 module | 73.2 | 80.0 | 86.0 |

• Rear mounting of drawer type rack



| No. of combining housing | Dimensions (mm) | | |
|--------------------------|-----------------|------|------|
| | A | B | C |
| 3 module | 57.1 | 63.0 | 73.0 |
| 4 module | 74.1 | 80.0 | 90.0 |

Note: Refer to connector handling manual for panel mounting method about drawer type connector.