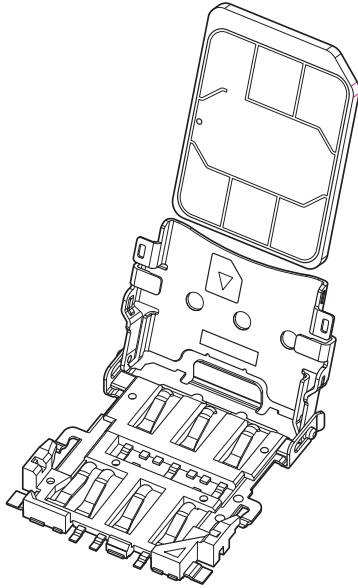


SCZW CONNECTOR

For 4FF SIM Card

Emboss Tape



This is a flip cover type connector for the 4FF SIM card which downsized the conventional SIM card.

Specifications

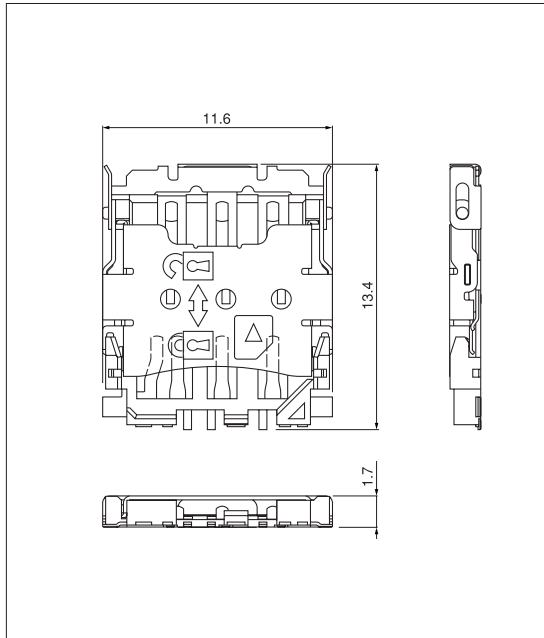
- Current rating: 0.7 A AC, DC
- Voltage rating: 30 V AC, DC
- Temperature range: -25°C to +85°C
(including temperature rise in applying electrical current)
- Contact resistance: Initial value/ 150 mΩ max.
After environmental tests/ 100 mΩ max.
(variation from initial value)
- Insulation resistance: 500 MΩ min.
- Withstanding voltage: Initial; 500 VAC/minute
- Applicable card: 4FF SIM card

* Refer to "General Instruction and Notice when using Terminals and Connectors" at the end of this catalog.

* Contact JST for details.

* Compliant with RoHS.

Connector



Model No.	Q'ty/reel
SCZW-7SC-1K-TB(HF)	2,500

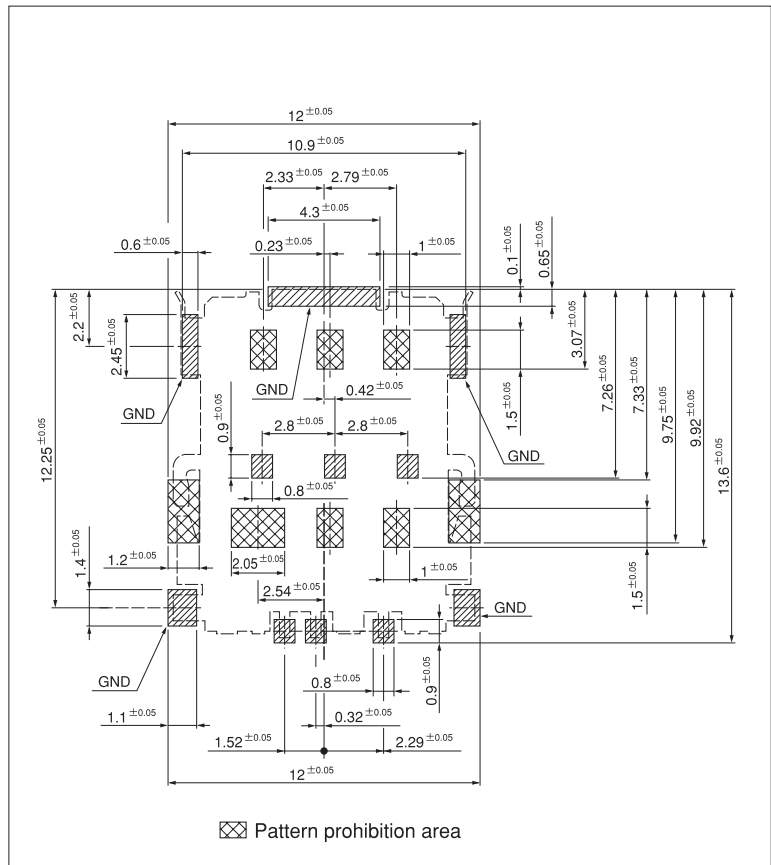
Material and Finish

Contact: Copper alloy, nickel-undercoated, gold-plated
Housing: Heat resisting resin, black
Shell: Stainless

RoHS compliance

Note: The product listed above are supplied on embossed-tape.

PC board layout



▨ Pattern prohibition area