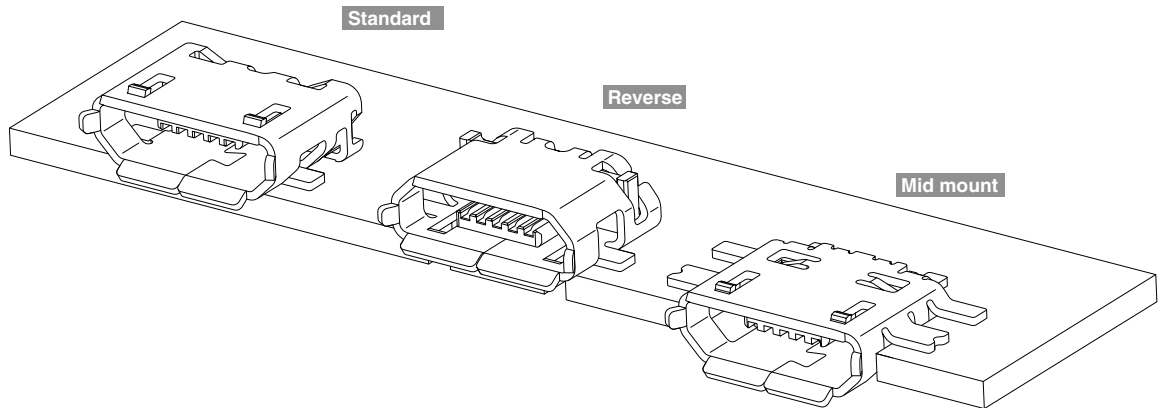


# UB CONNECTOR Micro USB

USB (Universal Serial bus) Conforming Connector



***This connector is an interface connector for cellular phone and other mobile equipments conforming to Micro USB standard.***

- ***It is a space saving design of about 50% reduction in mounting area compared with Mini USB. (Standard B type)***
- ***10,000 cycles of mating/unmating is provided.***
- ***Variations***
- ***SMT configuration***

## Specifications

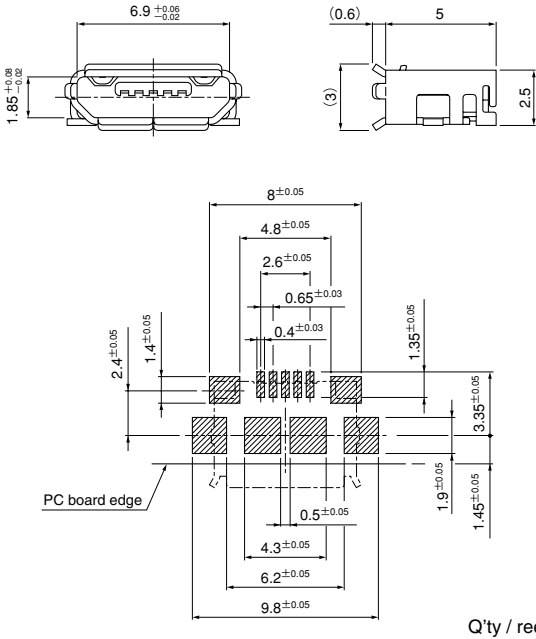
- Current rating: Only signal line  
Signal line (No. 2 to 4-circuit): 1.0 A AC, DC/Line  
: Power supply line  
Power supply line (No. 1, 5-circuit): 1.8 A AC, DC/Line  
Signal line (No. 2 to 4-circuit): 0.5 A AC, DC/Line
  - Voltage rating: 30 V AC, DC
  - Temperature range: -30°C to +85°C  
(including temperature rise in applying electrical current)
  - Contact resistance: Initial value/ 30 mΩ max.  
After environmental tests/ 10 mΩ max.  
(variation from initial value)
  - Insulation resistance: 1,000 MΩ min.
  - Withstanding voltage: 100 VAC/minute
- \* Refer to "General Instruction and Notice when using Terminals and Connectors" at the end of this catalog.  
\* Contact JST for details.  
\* Compliant with RoHS.

# UB CONNECTOR Micro USB

## Receptacle

### Standard B type

TID No.: 60001357



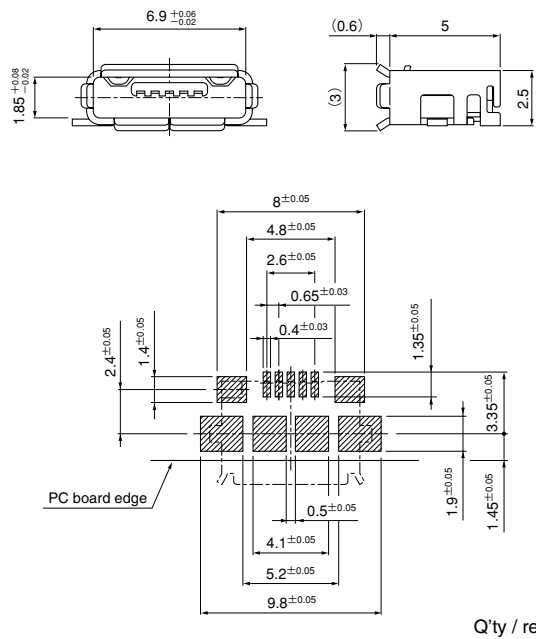
Q'ty / reel: 3,000

Model No.	Material and Finish
<b>UB-MC5BR3-SD204-4S-1</b>	Contact: Copper alloy, nickel-undercoated, gold-plated Housing: Heat resisting resin, UL94V-0, black Shell: Stainless, nickel-undercoated, tin-plated

RoHS compliance

### Standard AB type

TID No.: 60001359



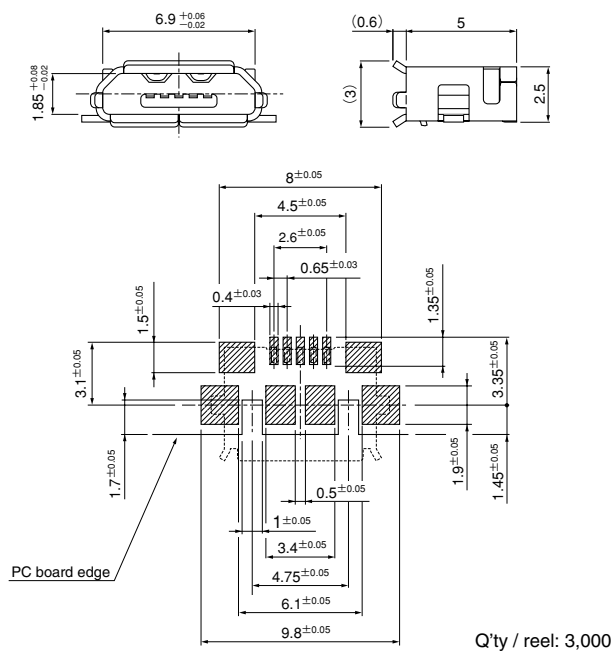
Q'ty / reel: 3,000

Model No.	Material and Finish
<b>UB-MC5ABR3-SD204-4S-1</b>	Contact: Copper alloy, nickel-undercoated, gold-plated Housing: Heat resisting resin, UL94V-0, gray Shell: Stainless, nickel-undercoated, tin-plated

RoHS compliance

### Reverse B type

TID No.: 60001356



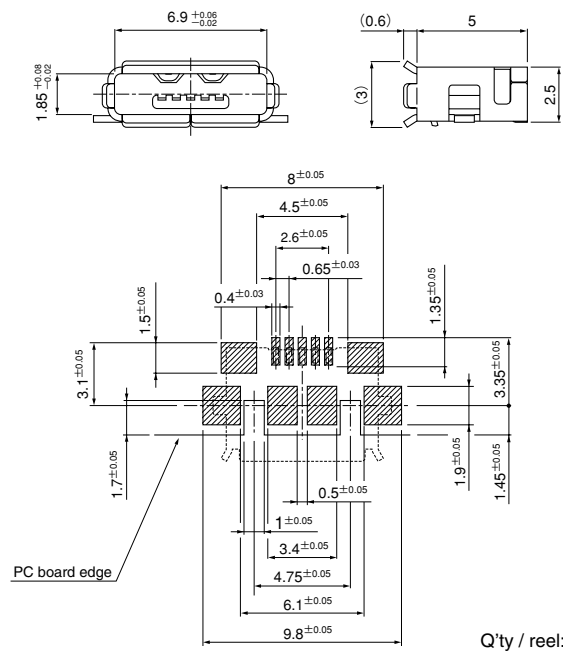
Q'ty / reel: 3,000

Model No.	Material and Finish
<b>UB-MC5BR3-RS04-4S-2</b>	Contact: Copper alloy, nickel-undercoated, gold-plated Housing: Heat resisting resin, UL94V-0, black Shell: Stainless, nickel-undercoated, tin-plated

RoHS compliance

### Reverse AB type

TID No.: 60001358



Q'ty / reel: 3,000

Model No.	Material and Finish
<b>UB-MC5ABR3-RS04-4S-2</b>	Contact: Copper alloy, nickel-undercoated, gold-plated Housing: Heat resisting resin, UL94V-0, gray Shell: Stainless, nickel-undercoated, tin-plated

RoHS compliance

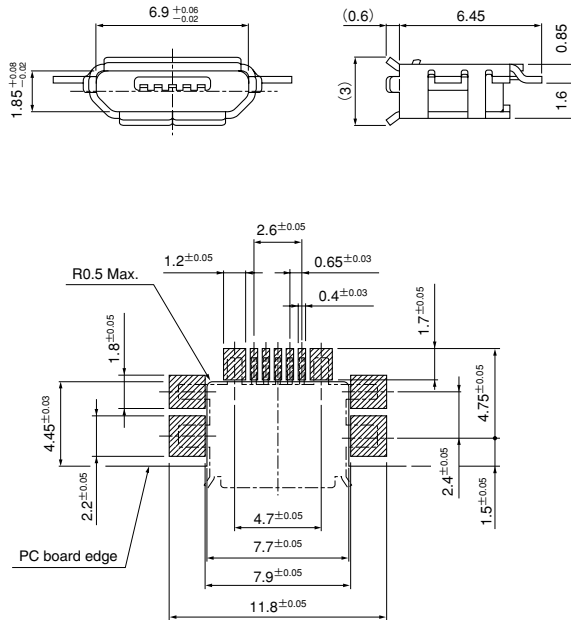
# UB CONNECTOR Micro USB

## Receptacle

### Mid mount B type

Mounting height: 0.85mm

TID No.: 60001355



Q'ty / reel: 2,000

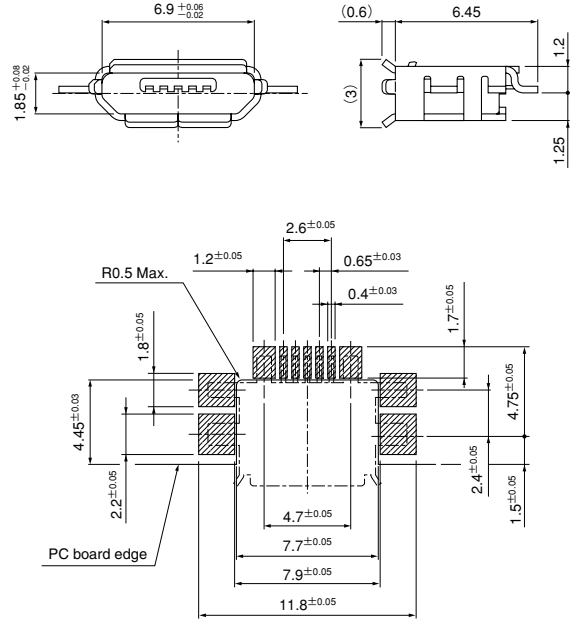
Model No.	Material and Finish
<b>UB-MC5BR3-M04-4S</b>	Contact: Copper alloy, nickel-undercoated, gold-plated Housing: Heat resisting resin, UL94V-0, black Shell: Stainless, nickel-undercoated, tin-plated

RoHS compliance

### Mid mount B type

Mounting height: 1.2mm

TID No.: 62001355



Q'ty / reel: 2,000

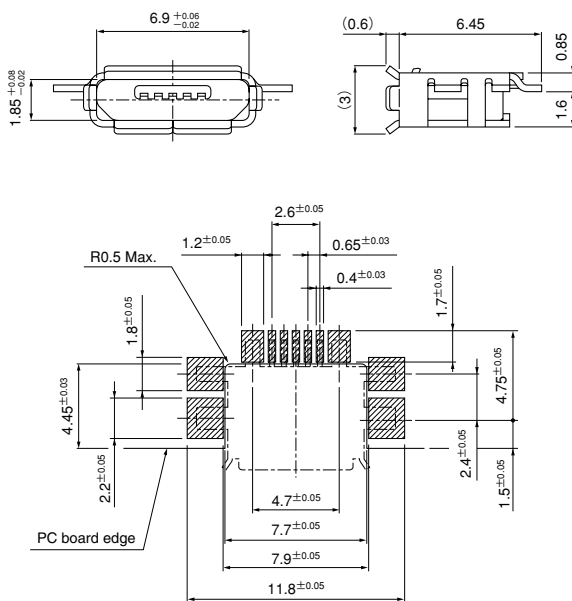
Model No.	Material and Finish
<b>UB-MC5BR3-M404-4S</b>	Contact: Copper alloy, nickel-undercoated, gold-plated Housing: Heat resisting resin, UL94V-0, black Shell: Stainless, nickel-undercoated, tin-plated

RoHS compliance

### Mid mount AB type

Mounting height: 0.85mm

TID No.: 60001365



Q'ty / reel: 2,000

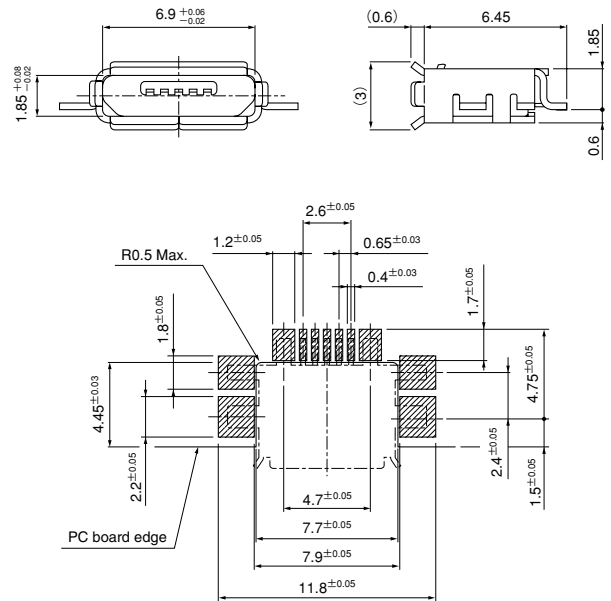
Model No.	Material and Finish
<b>UB-MC5ABR3-M04-4S</b>	Contact: Copper alloy, nickel-undercoated, gold-plated Housing: Heat resisting resin, UL94V-0, gray Shell: Stainless, nickel-undercoated, tin-plated

RoHS compliance

### Mid mount AB type

Mounting height: 1.85mm

TID No.: 63001355



Q'ty / reel: 2,000

Model No.	Material and Finish
<b>UB-MC5ABR3-M204-4S</b>	Contact: Copper alloy, nickel-undercoated, gold-plated Housing: Heat resisting resin, UL94V-0, gray Shell: Stainless, nickel-undercoated, tin-plated

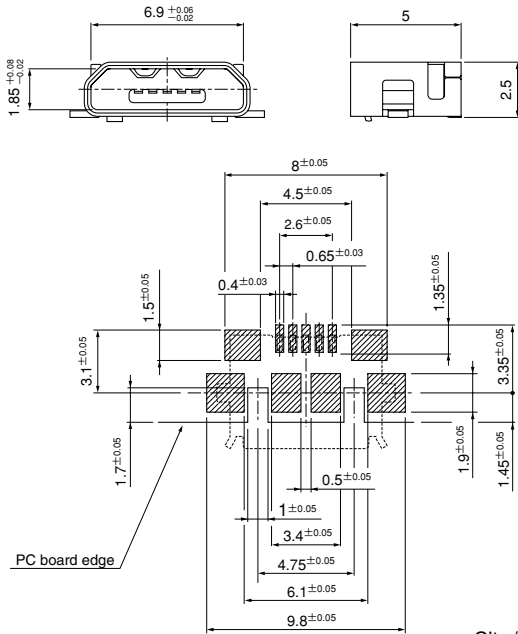
RoHS compliance

# UB CONNECTOR Micro USB

## Receptacle

### Reverse B type Without flange

TID No.: 61001356



Model No.	Material and Finish
<b>UB-MC5BR3-RS304-4S-2</b>	Contact: Copper alloy, nickel-undercoated, gold-plated
	Housing: Heat resisting resin, UL94V-0, black
	Shell: Stainless, nickel-undercoated, tin-plated

*RoHS compliance*